

<b>Document Title</b>	<b>Specification of EEPROM Driver</b>
<b>Document Owner</b>	AUTOSAR
<b>Document Responsibility</b>	AUTOSAR
<b>Document Identification No</b>	021
<b>Document Classification</b>	Standard
<b>Document Status</b>	Final
<b>Part of AUTOSAR Release</b>	4.2.2

<b>Document Change History</b>		
<b>Release</b>	<b>Changed by</b>	<b>Change Description</b>
4.2.2	AUTOSAR Release Management	<ul style="list-style-type: none"> <li>• DET renaming and adaptation</li> <li>• Chapter 7 adaptation for error classification</li> </ul>
4.2.1	AUTOSAR Release Management	<ul style="list-style-type: none"> <li>• Added pass/fail criteria and additional attributes for extended production errors</li> <li>• Removed redundant SWS IDs with respect to NULL_PTR check for Eep_Init()</li> </ul>
4.1.3	AUTOSAR Release Management	<ul style="list-style-type: none"> <li>• Corrected formatting of requirements SWS_Eep_00102, SWS_Eep_00068 and SWS_Eep_00137</li> </ul>
4.1.2	AUTOSAR Release Management	<ul style="list-style-type: none"> <li>• Removed the 'Timing' row from the Eep_MainFunction API table</li> <li>• Editorial changes</li> <li>• Removed chapter(s) on change documentation</li> </ul>
4.1.1	AUTOSAR Administration	<ul style="list-style-type: none"> <li>• MemMap.h changed to Eep_MemMap.h</li> <li>• Added Extended Production Errors</li> </ul>
4.0.3	AUTOSAR Administration	<ul style="list-style-type: none"> <li>• Min max values of FloatParamDef parameters added for EEP178 &amp; EEP185</li> <li>• Replaced Module short name by module abbreviation</li> </ul>
3.1.5	AUTOSAR Administration	<ul style="list-style-type: none"> <li>• Added DET errors EEP_E_PARAM_POINTER, EEP_E_TIMEOUT</li> <li>• Version check section (section 7.10) modified</li> </ul>

<b>Document Change History</b>		
<b>Release</b>	<b>Changed by</b>	<b>Change Description</b>
3.1.4	AUTOSAR Administration	<ul style="list-style-type: none"> <li>• Made hidden text visible in SWS_Eep_00003, SWS_Eep_00030, SWS_Eep_00128</li> <li>• Clarified optional callback notifications</li> <li>• Reworked external SPI EEPROM configuration example</li> <li>• Support VARIANT-POST-BUILD instead of VARIANT-LINK-TIME</li> <li>• Clarified synchronous behavior of Eep_Cancel()</li> <li>• Added support for debugging</li> <li>• Added DEM error codes for HW failure, removed SPI error</li> <li>• Changed job result to MEMIF_BLOCK_INCONSISTENT for differing data compare job</li> <li>• Replaced Gpt_Init() with Eep_Init()</li> <li>• Made Dem_ReportErrorStatus() a mandatory interface</li> <li>• Legal disclaimer revised</li> </ul>
3.1.1	AUTOSAR Administration	<ul style="list-style-type: none"> <li>• Legal disclaimer revised</li> </ul>
3.0.1	AUTOSAR Administration	<ul style="list-style-type: none"> <li>• Minor rewording of requirement (SWS_Eep_00005).</li> <li>• Introduction of new requirements (SWS_Eep_00161 and SWS_Eep_00162) for NULL_PTR check.</li> <li>• Updates to SWS_Eep_00028 and Figure 4 to correct spelling of MEMIF_JOB_CANCELLED</li> <li>• Document meta information extended</li> <li>• Small layout adaptations made</li> </ul>
2.1.15	AUTOSAR Administration	<ul style="list-style-type: none"> <li>• Constant name correction</li> <li>• Limitation of erase cycles</li> <li>• Link-time configuration versus config pointer check</li> <li>• Job result for compare jobs is not specified</li> <li>• </li> <li>• Legal disclaimer revised</li> <li>• Release Notes added</li> <li>• “Advice for users” revised</li> <li>• “Revision Information” added</li> </ul>

<b>Document Change History</b>		
<b>Release</b>	<b>Changed by</b>	<b>Change Description</b>
2.0	AUTOSAR Administration	<ul style="list-style-type: none"><li>• Document structure adapted to common Release 2.0 SWS Template.</li><li>• adaptation to the new memory abstraction architecture</li><li>• cancel function now asynchronous</li><li>• deletion of two specifications elements that could lead to a misinterpretation of the described "write-cycle-reduction" functionality</li></ul>
1.0	AUTOSAR Administration	<ul style="list-style-type: none"><li>• Initial Release</li></ul>

## Disclaimer

This specification and the material contained in it, as released by AUTOSAR, is for the purpose of information only. AUTOSAR and the companies that have contributed to it shall not be liable for any use of the specification.

The material contained in this specification is protected by copyright and other types of Intellectual Property Rights. The commercial exploitation of the material contained in this specification requires a license to such Intellectual Property Rights.

This specification may be utilized or reproduced without any modification, in any form or by any means, for informational purposes only. For any other purpose, no part of the specification may be utilized or reproduced, in any form or by any means, without permission in writing from the publisher.

The AUTOSAR specifications have been developed for automotive applications only. They have neither been developed, nor tested for non-automotive applications.

The word AUTOSAR and the AUTOSAR logo are registered trademarks.

## Advice for users

AUTOSAR specifications may contain exemplary items (exemplary reference models, "use cases", and/or references to exemplary technical solutions, devices, processes or software).

Any such exemplary items are contained in the specifications for illustration purposes only, and they themselves are not part of the AUTOSAR Standard. Neither their presence in such specifications, nor any later documentation of AUTOSAR conformance of products actually implementing such exemplary items, imply that intellectual property rights covering such exemplary items are licensed under the same rules as applicable to the AUTOSAR Standard.

## Table of Contents

1	Introduction and functional overview .....	7
2	Acronyms and abbreviations .....	8
3	Related documentation.....	9
3.1	Input documents.....	9
3.2	Related standards and norms .....	9
3.3	Related specification .....	10
4	Constraints and assumptions .....	11
4.1	Limitations .....	11
4.2	Applicability to car domains.....	11
4.3	Applicability to safety related environments .....	11
5	Dependencies to other modules.....	12
5.1	File structure .....	12
6	Requirements traceability .....	15
7	Functional specification .....	23
7.1	General behavior.....	23
7.2	Error classification .....	23
7.2.1	Development Errors .....	23
7.2.2	Runtime Error.....	24
7.2.3	Transient Faults .....	24
7.2.4	Production Errors .....	24
7.2.5	Extended Production Errors .....	24
7.2.5.1	EEP_E_ERASE_FAILED .....	24
7.2.5.2	EEP_E_WRITE_FAILED.....	25
7.2.5.3	EEP_E_READ_FAILED.....	25
7.2.5.4	EEP_E_COMPARE_FAILED .....	26
7.3	Error detection.....	26
7.3.1	API parameter checking.....	26
7.3.2	EEPROM state checking.....	27
7.3.3	EEPROM job encounters Hardware Failure.....	27
7.3.4	Timeout Supervision .....	27
7.4	Error notification .....	27
7.5	Processing of jobs – general requirements .....	28
7.6	Processing of read jobs.....	29
7.7	Processing of write jobs .....	30
7.8	Processing of erase jobs .....	31
7.9	Processing of compare jobs .....	32
7.10	Version check.....	33
7.11	Support for Debugging .....	33
8	API specification.....	34
8.1	Imported types.....	34
8.2	Type definitions .....	34
8.2.1	Eep_ConfigType .....	34

8.2.2	Eep_AddressType.....	34
8.2.3	Eep_LengthType.....	35
8.3	Function definitions .....	35
8.3.1	Eep_Init.....	35
8.3.2	Eep_SetMode .....	36
8.3.3	Eep_Read .....	36
8.3.4	Eep_Write .....	37
8.3.5	Eep_Erase .....	38
8.3.6	Eep_Compare .....	39
8.3.7	Eep_Cancel.....	40
8.3.8	Eep_GetStatus.....	42
8.3.9	Eep_GetJobResult .....	42
8.3.10	Eep_GetVersionInfo .....	43
8.4	Callback notifications.....	43
8.5	Scheduled functions.....	44
8.5.1	Eep_MainFunction .....	44
8.6	Expected Interfaces.....	45
8.6.1	Mandatory Interfaces .....	46
8.6.2	Optional Interfaces .....	46
8.6.3	Configurable interfaces .....	46
8.6.3.1	End Job Notification.....	47
8.6.3.2	Error Job Notification .....	47
9	Sequence diagrams .....	49
9.1	Initialization .....	49
9.2	Read/write/erase/compare .....	49
9.3	Cancelation of a running job.....	51
10	Configuration specification.....	52
10.1	How to read this chapter .....	52
10.2	Containers and configuration parameters .....	53
10.2.1	Variants.....	53
10.2.2	Eep.....	53
10.2.3	EepGeneral.....	53
10.2.4	EepInitConfiguration.....	55
10.2.5	EepDemEventParameterRefs .....	58
10.2.6	EepExternalDriver .....	60
10.2.7	SPI specific extension .....	61
10.3	Published parameters .....	61
10.3.1	Basic subset.....	61
10.3.2	SPI specific extension .....	61
10.3.3	EepPublishedInformation .....	61
10.4	Configuration example—external SPI EEPROM device.....	64
10.4.1	External SPI EEPROM device usage scenario .....	64
10.4.2	Configuration of SPI parameters.....	65
10.4.3	Generation of SPI configuration data .....	66
10.4.4	SPI API usage.....	67
11	Not applicable requirements .....	68

## 1 Introduction and functional overview

This specification describes the functionality and API for an EEPROM driver. This specification is applicable to drivers for both internal and external EEPROMs.

The EEPROM driver provides services for reading, writing, erasing to/from an EEPROM. It also provides a service for comparing a data block in the EEPROM with a data block in the memory (e.g. RAM).

The behaviour of those services is asynchronous.

A driver for an internal EEPROM accesses the microcontroller hardware directly and is located in the Microcontroller Abstraction Layer. A driver for an external EEPROM uses handlers (SPI in most cases) or drivers to access the external EEPROM device. It is located in the ECU Abstraction Layer.

The functional requirements and the functional scope are the same for both types of drivers. Hence the API is semantically identical.

## 2 Acronyms and abbreviations

Acronyms and abbreviations which have a local scope and therefore are not contained in the AUTOSAR glossary must appear in a local glossary.

<b>Acronym:</b>	<b>Description:</b>
Data block	<p>A data block may contain 1..n bytes and is used within the API of the EEPROM driver.</p> <p>Data blocks are passed with</p> <ul style="list-style-type: none"> <li>• Address offset in EEPROM</li> <li>• Pointer to memory location</li> <li>• Length</li> </ul> <p>to the EEPROM driver.</p>
Data unit	<p>The smallest data entity in EEPROM. The entities may differ for read/write/erase operation.</p> <p>Example 1: Motorola STAR12 Read: 1 byte Write: 2 bytes Erase: 4 bytes</p> <p>Example 2: external SPI EEPROM device Read/Write/Erase: 1 byte</p>
Normal mode Burst mode	<p>Some external SPI EEPROM devices provide the possibility of different access modes:</p> <ul style="list-style-type: none"> <li>• Normal mode: The data exchange with the EEPROM device via SPI is performed byte wise. This allows for cooperative SPI usage together with other SPI devices like I/O ASICs, external watchdogs etc.</li> <li>• Burst mode: The data exchange with the EEPROM device via SPI is performed block wise. The block size depends on the EEPROM properties, an example is 64 bytes. Because large blocks are transferred, the SPI is blocked by the EEPROM access in burst mode. This mode is used during ECU start-up and shut-down phases where fast reading/writing of data is required.</li> </ul>
EEPROM cell	Smallest physical unit of an EEPROM device that holds the data. Usually 1 byte.

<b>Abbreviation:</b>	<b>Description:</b>
EEPROM	Electrically Erasable and Programmable Read Only Memory
NVRAM	Non Volatile Random Access Memory
NvM	Module name of NVRAM Manager
EcuM	Module name of ECU State Manager
DEM	Module name of Diagnostic Event Manager
DET	Module name of Default Error Tracer



## 3 Related documentation

### 3.1 Input documents

- [1] Layered Software Architecture  
AUTOSAR\_EXP\_LayeredSoftwareArchitecture.pdf
- [2] General Requirements on Basic Software Modules  
AUTOSAR\_SRS\_BSWGeneral.pdf
- [3] Specification of Memory Abstraction Interface  
AUTOSAR\_SWS\_MemoryAbstractionInterface.pdf
- [4] Specification of SPI Handler/Driver  
AUTOSAR\_SWS\_SPIHandlerDriver.pdf
- [5] Specification of ECU Configuration  
AUTOSAR\_TPS\_ECUConfiguration.pdf
- [6] Requirements on EEPROM Driver  
AUTOSAR\_SRS\_EEPROMDriver.pdf
- [7] Specification of Default Error Tracer  
AUTOSAR\_SWS\_DevelopmentErrorTracer.pdf
- [8] Specification of Diagnostics Event Manager  
AUTOSAR\_SWS\_DiagnosticEventManager.pdf
- [9] AUTOSAR Glossary  
AUTOSAR\_TR\_Glossary.pdf
- [10] Specification of MCU Driver  
AUTOSAR\_SWS\_MCUDriver.pdf
- [11] Basic Software Module Description Template  
AUTOSAR\_TPS\_BSWModuleDescriptionTemplate.pdf
- [12] List of Basic Software Modules  
AUTOSAR\_TR\_BSWModuleList.pdf
- [13] General Specification of Basic Software Modules  
AUTOSAR\_SWS\_BSWGeneral.pdf

### 3.2 Related standards and norms

- [14] HIS Specification I/O Drivers, V2.1.3

### 3.3 Related specification

AUTOSAR provides a General Specification on Basic Software modules [13] (SWS BSW General), which is also valid for EEPROM Driver.

Thus, the specification SWS BSW General shall be considered as additional and required specification for EEPROM Driver.

## 4 Constraints and assumptions

### 4.1 Limitations

The EEPROM driver does not provide mechanisms for providing data integrity (e.g. checksums, redundant storage, etc.).

The setting of the EEPROM write protection is not provided.

### 4.2 Applicability to car domains

No restrictions.

### 4.3 Applicability to safety related environments

This module can be used within safety relevant systems if the upper layer software provides following mechanisms for safety related data:

- Checksum protection
- Checking integrity before using data
- Redundant storage
- Verification of data after it has been written to EEPROM. For this, the compare function of the EEPROM driver can be used

## 5 Dependencies to other modules

There are two classes of EEPROM drivers:

1. EEPROM drivers for onchip EEPROM.  
These are part of the Microcontroller Abstraction Layer.
2. EEPROM drivers for external EEPROM devices.  
These are part of the ECU Abstraction Layer.

**[SWS\_Eep\_00082]** [The source code of external EEPROM drivers shall be independent of the microcontroller platform.] ()

The internal EEPROM may depend on the system clock, prescaler(s) and PLL. Thus, changes of the system clock (e.g. PLL on → PLL off) may also affect the clock settings of the EEPROM hardware. Module EEPROM Driver do not take care of setting the registers which configure the clock, prescaler(s) and PLL in its init function. This has to be done by the MCU module [10].

A driver for an external EEPROM depends on the API and capabilities of the used onboard communication handler (e.g. SPI Handler/Driver).

EEPROM driver is part of Memory Abstraction Architecture and for this reason some types depend on Memory Interface (MemIf) module.

### 5.1 File structure

**[SWS\_Eep\_00228]** [If the module implementation uses custom interrupt processing, the interrupt service routines shall be placed in `Eep_Irq.c`] ()

**[SWS\_Eep\_00083]** [The module Eep shall adhere to the following include file structure:

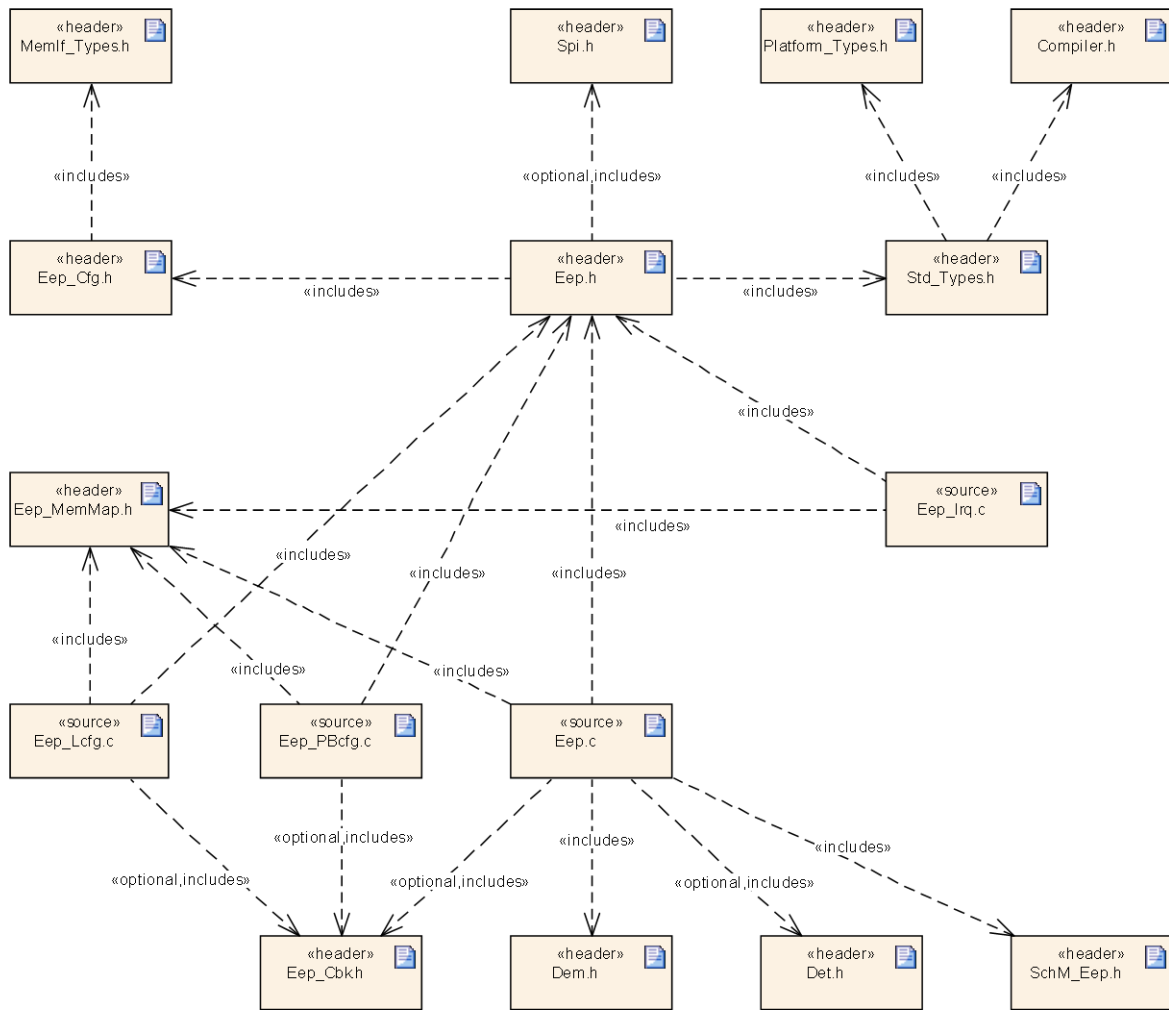


Figure 1

] (SRS\_BSW\_00412, SRS\_BSW\_00415)

**[SWS\_Eep\_00102]** [ The Eep module shall include Eep.h, Eep\_MemMap.h, Dem.h and SchM\_Eep.h. It shall optionally include Det.h and Eep\_Cbk.h] ()

**[SWS\_Eep\_00229]** [Eep.h shall include Eep\_Cfg.h and Std\_Types.h] ()

**[SWS\_Eep\_00230]** [In case of a driver for an external SPI EEPROM, Eep.h shall include Spi.h] ()

**[SWS\_Eep\_00231]** [If present, Eep\_Irq.c shall include Eep.h and Eep\_MemMap.h] ()

**[SWS\_Eep\_00232]** [If present, Eep\_Lcfg.c shall include Eep.h and Eep\_MemMap.h. It shall optionally include Eep\_Cbk.h] ()

**[SWS\_Eep\_00233]** [If present, `Eep_PBcfg.c` shall include `Eep.h` and `Eep_MemMap.h`. It shall optionally include `Eep_Cbk.h`] ()

## 6 Requirements traceability

Requirement	Description	Satisfied by
-	-	SWS_Eep_00031
-	-	SWS_Eep_00044
-	-	SWS_Eep_00056
-	-	SWS_Eep_00058
-	-	SWS_Eep_00059
-	-	SWS_Eep_00068
-	-	SWS_Eep_00075
-	-	SWS_Eep_00082
-	-	SWS_Eep_00084
-	-	SWS_Eep_00097
-	-	SWS_Eep_00098
-	-	SWS_Eep_00102
-	-	SWS_Eep_00113
-	-	SWS_Eep_00115
-	-	SWS_Eep_00116
-	-	SWS_Eep_00117
-	-	SWS_Eep_00118
-	-	SWS_Eep_00119
-	-	SWS_Eep_00120
-	-	SWS_Eep_00121
-	-	SWS_Eep_00122
-	-	SWS_Eep_00123
-	-	SWS_Eep_00124
-	-	SWS_Eep_00126
-	-	SWS_Eep_00127
-	-	SWS_Eep_00128
-	-	SWS_Eep_00129
-	-	SWS_Eep_00133
-	-	SWS_Eep_00134
-	-	SWS_Eep_00136
-	-	SWS_Eep_00137
-	-	SWS_Eep_00143
-	-	SWS_Eep_00144
-	-	SWS_Eep_00145
-	-	SWS_Eep_00146
-	-	SWS_Eep_00147

-	-	SWS_Eep_00148
-	-	SWS_Eep_00149
-	-	SWS_Eep_00150
-	-	SWS_Eep_00151
-	-	SWS_Eep_00152
-	-	SWS_Eep_00153
-	-	SWS_Eep_00154
-	-	SWS_Eep_00155
-	-	SWS_Eep_00157
-	-	SWS_Eep_00158
-	-	SWS_Eep_00204
-	-	SWS_Eep_00205
-	-	SWS_Eep_00206
-	-	SWS_Eep_00207
-	-	SWS_Eep_00217
-	-	SWS_Eep_00219
-	-	SWS_Eep_00220
-	-	SWS_Eep_00221
-	-	SWS_Eep_00222
-	-	SWS_Eep_00223
-	-	SWS_Eep_00224
-	-	SWS_Eep_00225
-	-	SWS_Eep_00226
-	-	SWS_Eep_00227
-	-	SWS_Eep_00228
-	-	SWS_Eep_00229
-	-	SWS_Eep_00230
-	-	SWS_Eep_00231
-	-	SWS_Eep_00232
-	-	SWS_Eep_00233
-	-	SWS_Eep_00234
-	-	SWS_Eep_00235
-	-	SWS_Eep_00236
-	-	SWS_Eep_00237
-	-	SWS_Eep_00238
-	-	SWS_Eep_00239
-	-	SWS_Eep_00244
-	-	SWS_Eep_00248
-	-	SWS_Eep_00249



-	-	SWS_Eep_00250
-	-	SWS_Eep_00252
-	-	SWS_Eep_00253
-	-	SWS_Eep_00254
-	-	SWS_Eep_00255
BSW00324	-	SWS_Eep_00241
BSW00420	-	SWS_Eep_00241
BSW00431	-	SWS_Eep_00241
BSW00434	-	SWS_Eep_00241
BSW12062	-	SWS_Eep_00004
SRS_BSW_00005	Modules of the $\hat{\mu}$ C Abstraction Layer (MCAL) may not have hard coded horizontal interfaces	SWS_Eep_00241
SRS_BSW_00006	The source code of software modules above the $\hat{\mu}$ C Abstraction Layer (MCAL) shall not be processor and compiler dependent.	SWS_Eep_00241
SRS_BSW_00007	All Basic SW Modules written in C language shall conform to the MISRA C 2004 Standard.	SWS_Eep_00241
SRS_BSW_00009	All Basic SW Modules shall be documented according to a common standard.	SWS_Eep_00241
SRS_BSW_00010	The memory consumption of all Basic SW Modules shall be documented for a defined configuration for all supported platforms.	SWS_Eep_00241
SRS_BSW_00101	The Basic Software Module shall be able to initialize variables and hardware in a separate initialization function	SWS_Eep_00004
SRS_BSW_00161	The AUTOSAR Basic Software shall provide a microcontroller abstraction layer which provides a standardized interface to higher software layers	SWS_Eep_00241
SRS_BSW_00162	The AUTOSAR Basic Software shall provide a hardware abstraction layer	SWS_Eep_00241
SRS_BSW_00164	The Implementation of interrupt service routines shall be done by the Operating System, complex drivers or modules	SWS_Eep_00241
SRS_BSW_00168	SW components shall be tested by a function defined in a common API in the Basis-SW	SWS_Eep_00241
SRS_BSW_00170	The AUTOSAR SW Components shall provide information about their dependency from faults, signal qualities, driver demands	SWS_Eep_00241
SRS_BSW_00172	The scheduling strategy that is built inside the Basic Software Modules shall be compatible with the strategy used in the system	SWS_Eep_00241
SRS_BSW_00301	All AUTOSAR Basic Software Modules shall only import the necessary information	SWS_Eep_00241
SRS_BSW_00302	All AUTOSAR Basic Software Modules shall only export information needed by other modules	SWS_Eep_00241

SRS_BSW_00306	AUTOSAR Basic Software Modules shall be compiler and platform independent	SWS_Eep_00241
SRS_BSW_00307	Global variables naming convention	SWS_Eep_00241
SRS_BSW_00308	AUTOSAR Basic Software Modules shall not define global data in their header files, but in the C file	SWS_Eep_00241
SRS_BSW_00309	All AUTOSAR Basic Software Modules shall indicate all global data with read-only purposes by explicitly assigning the const keyword	SWS_Eep_00241
SRS_BSW_00312	Shared code shall be reentrant	SWS_Eep_00241
SRS_BSW_00323	All AUTOSAR Basic Software Modules shall check passed API parameters for validity	SWS_Eep_00016, SWS_Eep_00017, SWS_Eep_00018
SRS_BSW_00325	The runtime of interrupt service routines and functions that are running in interrupt context shall be kept short	SWS_Eep_00241
SRS_BSW_00326	-	SWS_Eep_00241
SRS_BSW_00328	All AUTOSAR Basic Software Modules shall avoid the duplication of code	SWS_Eep_00241
SRS_BSW_00330	It shall be allowed to use macros instead of functions where source code is used and runtime is critical	SWS_Eep_00241
SRS_BSW_00331	All Basic Software Modules shall strictly separate error and status information	SWS_Eep_00241
SRS_BSW_00334	All Basic Software Modules shall provide an XML file that contains the meta data	SWS_Eep_00241
SRS_BSW_00335	Status values naming convention	SWS_Eep_00138
SRS_BSW_00336	Basic SW module shall be able to shutdown	SWS_Eep_00241
SRS_BSW_00337	Classification of development errors	SWS_Eep_00000, SWS_Eep_00200, SWS_Eep_00201, SWS_Eep_00202, SWS_Eep_00203
SRS_BSW_00341	Module documentation shall contains all needed informations	SWS_Eep_00241
SRS_BSW_00342	It shall be possible to create an AUTOSAR ECU out of modules provided as source code and modules provided as object code, even mixed	SWS_Eep_00241
SRS_BSW_00343	The unit of time for specification and configuration of Basic SW modules shall be preferably in physical time unit	SWS_Eep_00241
SRS_BSW_00347	A Naming separation of different instances of BSW drivers shall be in place	SWS_Eep_00241
SRS_BSW_00355	-	SWS_Eep_00241
SRS_BSW_00357	For success/failure of an API call a standard return type shall be defined	SWS_Eep_00138
SRS_BSW_00369	All AUTOSAR Basic Software Modules shall not return specific development error codes via	SWS_Eep_00033

	the API	
SRS_BSW_00375	Basic Software Modules shall report wake-up reasons	SWS_Eep_00241
SRS_BSW_00377	A Basic Software Module can return a module specific types	SWS_Eep_00138
SRS_BSW_00378	AUTOSAR shall provide a boolean type	SWS_Eep_00241
SRS_BSW_00385	List possible error notifications	SWS_Eep_00000
SRS_BSW_00390	Parameter content shall be unique within the module	SWS_Eep_00094, SWS_Eep_00095
SRS_BSW_00391	-	SWS_Eep_00094, SWS_Eep_00095
SRS_BSW_00396	The Basic Software Module specifications shall specify the supported configuration classes for changing values and multiplicities for each parameter/container	SWS_Eep_00109, SWS_Eep_00110
SRS_BSW_00397	The configuration parameters in pre-compile time are fixed before compilation starts	SWS_Eep_00109
SRS_BSW_00398	The link-time configuration is achieved on object code basis in the stage after compiling and before linking	SWS_Eep_00094, SWS_Eep_00110
SRS_BSW_00399	Parameter-sets shall be located in a separate segment and shall be loaded after the code	SWS_Eep_00241
SRS_BSW_00400	Parameter shall be selected from multiple sets of parameters after code has been loaded and started	SWS_Eep_00241
SRS_BSW_00401	Documentation of multiple instances of configuration parameters shall be available	SWS_Eep_00241
SRS_BSW_00402	Each module shall provide version information	SWS_Eep_00095
SRS_BSW_00404	BSW Modules shall support post-build configuration	SWS_Eep_00110
SRS_BSW_00406	A static status variable denoting if a BSW module is initialized shall be initialized with value 0 before any APIs of the BSW module is called	SWS_Eep_00006, SWS_Eep_00033
SRS_BSW_00412	References to c-configuration parameters shall be placed into a separate h-file	SWS_Eep_00083
SRS_BSW_00413	An index-based accessing of the instances of BSW modules shall be done	SWS_Eep_00241
SRS_BSW_00415	Interfaces which are provided exclusively for one module shall be separated into a dedicated header file	SWS_Eep_00083
SRS_BSW_00416	The sequence of modules to be initialized shall be configurable	SWS_Eep_00241
SRS_BSW_00417	Software which is not part of the SW-C shall report error events only after the DEM is fully operational.	SWS_Eep_00241
SRS_BSW_00422	Pre-de-bouncing of error status information is done within the DEM	SWS_Eep_00241

SRS_BSW_00423	BSW modules with AUTOSAR interfaces shall be describable with the means of the SW-C Template	SWS_Eep_00241
SRS_BSW_00424	BSW module main processing functions shall not be allowed to enter a wait state	SWS_Eep_00241
SRS_BSW_00426	BSW Modules shall ensure data consistency of data which is shared between BSW modules	SWS_Eep_00241
SRS_BSW_00427	ISR functions shall be defined and documented in the BSW module description template	SWS_Eep_00241
SRS_BSW_00428	A BSW module shall state if its main processing function(s) has to be executed in a specific order or sequence	SWS_Eep_00241
SRS_BSW_00429	BSW modules shall be only allowed to use OS objects and/or related OS services	SWS_Eep_00241
SRS_BSW_00432	Modules should have separate main processing functions for read/receive and write/transmit data path	SWS_Eep_00241
SRS_BSW_00433	Main processing functions are only allowed to be called from task bodies provided by the BSW Scheduler	SWS_Eep_00241
SRS_BSW_00442	{OBSOLETE} The AUTOSAR architecture shall support standardized debugging and tracing features	SWS_Eep_00212, SWS_Eep_00213, SWS_Eep_00214
SRS_Eep_00087	The EEPROM driver shall provide an asynchronous read function	SWS_Eep_00009, SWS_Eep_00013
SRS_Eep_00088	The EEPROM driver shall provide an asynchronous write function	SWS_Eep_00014, SWS_Eep_00015, SWS_Eep_00063, SWS_Eep_00090
SRS_Eep_00089	The EEPROM driver shall provide an asynchronous erase function	SWS_Eep_00019, SWS_Eep_00020, SWS_Eep_00070, SWS_Eep_00072
SRS_Eep_00090	The EEPROM driver shall provide a synchronous cancel function	SWS_Eep_00021, SWS_Eep_00027, SWS_Eep_00028, SWS_Eep_00215, SWS_Eep_00216
SRS_Eep_00091	The EEPROM driver shall provide a synchronous function which returns the job processing status	SWS_Eep_00029
SRS_Eep_00092	The EEPROM driver shall only write data if at least one data value of the affected erasable block is different from the data value to be written	SWS_Eep_00060, SWS_Eep_00064
SRS_Eep_00094	The EEPROM driver shall handle the EEPROM memory segmentation	SWS_Eep_00063, SWS_Eep_00070, SWS_Eep_00072, SWS_Eep_00090
SRS_Eep_00095	The EEPROM driver shall handle only one job at the same time	SWS_Eep_00033, SWS_Eep_00036

SRS_Eep_12047	The EEPROM driver shall provide a function that has to be called for job processin	SWS_Eep_00030, SWS_Eep_00032
SRS_Eep_12050	The job processing function of the EEPROM driver shall process only as much data as the EEPROM hardware can handle	SWS_Eep_00051, SWS_Eep_00054, SWS_Eep_00057, SWS_Eep_00069
SRS_Eep_12051	The same requirements shall apply for an external and internal EEPROM driver	SWS_Eep_00088
SRS_Eep_12072	In fast mode, one cycle of the job processing function of the EEPROM driver shall limit the block size that is read from EEPROM to the configured maximum block size	SWS_Eep_00054, SWS_Eep_00055, SWS_Eep_00073
SRS_Eep_12091	The EEPROM driver shall provide an asynchronous compare function	SWS_Eep_00025, SWS_Eep_00026
SRS_Eep_12124	The EEPROM driver for an external SPI EEPROM device shall access the SPI depending on the current EEPROM mode	SWS_Eep_00052, SWS_Eep_00053, SWS_Eep_00055, SWS_Eep_00073
SRS_Eep_12156	The EEPROM driver shall provide a synchronous selection function	SWS_Eep_00042, SWS_Eep_00130, SWS_Eep_00132
SRS_Eep_12157	In normal mode, one cycle of the job processing function of the EEPROM driver shall limit the block size that is read from EEPROM to the configured default block size	SWS_Eep_00051, SWS_Eep_00052, SWS_Eep_00053
SRS_SPAL_00157	All drivers and handlers of the AUTOSAR Basic Software shall implement notification mechanisms of drivers and handlers	SWS_Eep_00024, SWS_Eep_00029, SWS_Eep_00045, SWS_Eep_00046, SWS_Eep_00047
SRS_SPAL_12056	All driver modules shall allow the static configuration of notification mechanism	SWS_Eep_00047, SWS_Eep_00049
SRS_SPAL_12057	All driver modules shall implement an interface for initialization	SWS_Eep_00004
SRS_SPAL_12063	All driver modules shall only support raw value mode	SWS_Eep_00241
SRS_SPAL_12064	All driver modules shall raise an error if the change of the operation mode leads to degradation of running operations	SWS_Eep_00033
SRS_SPAL_12067	All driver modules shall set their wake-up conditions depending on the selected operation mode	SWS_Eep_00241
SRS_SPAL_12068	The modules of the MCAL shall be initialized in a defined sequence	SWS_Eep_00241
SRS_SPAL_12069	All drivers of the SPAL that wake up from a wake-up interrupt shall report the wake-up reason	SWS_Eep_00241
SRS_SPAL_12075	All drivers with random streaming capabilities shall use application buffers	SWS_Eep_00037
SRS_SPAL_12077	All drivers shall provide a non blocking implementation	SWS_Eep_00241

SRS_SPAL_12078	The drivers shall be coded in a way that is most efficient in terms of memory and runtime resources	SWS_Eep_00241
SRS_SPAL_12092	The driver's API shall be accessed by its handler or manager	SWS_Eep_00241
SRS_SPAL_12129	The ISRs shall be responsible for resetting the interrupt flags and calling the according notification function	SWS_Eep_00241
SRS_SPAL_12163	All driver modules shall implement an interface for de-initialization	SWS_Eep_00241
SRS_SPAL_12265	Configuration data shall be kept constant	SWS_Eep_00241
SRS_SPAL_12267	Wakeup sources shall be initialized by MCAL drivers and/or the MCU driver	SWS_Eep_00241
SRS_SPAL_12448	All driver modules shall have a specific behavior after a development error detection	SWS_Eep_00016, SWS_Eep_00017, SWS_Eep_00018, SWS_Eep_00033

## 7 Functional specification

### 7.1 General behavior

**[SWS\_Eep\_00088]** [The Eep SWS shall be valid both for internal and external EEPROMs.]

The Eep SWS defines asynchronous services for EEPROM operations (read/write/erase/compare). ] (SRS\_Eep\_12051)

**[SWS\_Eep\_00036]** [The Eep module shall not buffer jobs. The Eep module shall accept only one job at a time. During job processing, the Eep module shall accept no other job. ] (SRS\_Eep\_00095)

Note: when running in production mode it is assumed that the Eep user will never issue jobs concurrently; therefore error handling for this requirement is restricted to development, see [SWS\\_Eep\\_00033](#).

**[SWS\_Eep\_00037]** [The Eep module shall not buffer data to be read or written. The Eep module shall use application data buffers that are referenced by a pointer passed via the API. ] (SRS\_SPAL\_12075)

### 7.2 Error classification

This section describes how the Eep module has to manage the several error classes that may occur during the life cycle of this basic software.

The general requirements document of AUTOSAR [2] specifies that all basic software modules must distinguish (according to the product life cycle) two error types:

- Development errors: These errors should be detected and fixed during development phase. In most cases, these errors are software errors.
- Production errors: These errors are hardware errors and software exceptions that cannot be avoided and are expected to occur in the production (i.e. series) code.

#### 7.2.1 Development Errors

**[SWS\_Eep\_00000]** [The Eep module shall detect the following errors depending on its build options (development/production mode):

<i>Type or error</i>	<i>Relevance</i>	<i>Related error code</i>	<i>Value [hex]</i>
Invalid configuration set selection	Development	EEP_E_INIT_FAILED EEP_E_PARAM_ADDRESS EEP_E_PARAM_DATA EEP_E_PARAM_LENGTH	0x10 0x11 0x12 0x13
API service called with a NULL pointer	Development	EEP_E_PARAM_POINTER	0x23

API service called without module initialization	Development	EEP_E_UNINIT	0x20
API service called while driver still busy	Development	EEP_E_BUSY	0x21
Timeout exceeded	Development	EEP_E_TIMEOUT	0x22

] (SRS\_BSW\_00337, SRS\_BSW\_00385)

## 7.2.2 Runtime Error

There are no runtime errors.

## 7.2.3 Transient Faults

There are no transient faults.

## 7.2.4 Production Errors

There are no production errors.

## 7.2.5 Extended Production Errors

### 7.2.5.1 EEP\_E\_ERASE\_FAILED

[SWS\_Eep\_00242]

<b>Error Name:</b>	EEP_E_ERASE_FAILED	
<b>Short Description:</b>	EEPROM erase failed (HW)	
<b>Long Description:</b>	The Eeprom module reports this error when EEPROM erase job fails due to a hardware error.	
<b>Detection Criteria:</b>	Fail	EEPROM erase job failed (see <a href="#">SWS Eep 00255</a> ).
	Pass	EEPROM erase job finished successfully (see <a href="#">SWS Eep 00244</a> ).
<b>Secondary Parameters:</b>	N/A	
<b>Time Required:</b>	N/A	
<b>Monitor Frequency</b>	Implementation specific	

[SWS\_Eep\_00255] [ The production error code EEP\_E\_ERASE\_FAILED shall be reported with FAILED when the Eeprom erase function failed.] () (SRS\_BSW\_00337, SRS\_BSW\_00385, SRS\_BSW\_00327, SRS\_BSW\_00331)

[SWS\_Eep\_00244] [ The production error code EEP\_E\_ERASE\_FAILED shall be reported with PASSED when the Eeprom erase function was executed successfully.

] () (SRS\_BSW\_00337, SRS\_BSW\_00385, SRS\_BSW\_00327, SRS\_BSW\_00331)



### 7.2.5.2 EEP\_E\_WRITE\_FAILED [SWS\_Eep\_00243]

<b>Error Name:</b>	EEP_E_WRITE_FAILED	
<b>Short Description:</b>	EEPROM write failed (HW)	
<b>Long Description:</b>	The Eeprom module reports this error when EEPROM write job fails due to a hardware error.	
<b>Detection Criteria:</b>	Fail	EEPROM write job failed (see <a href="#">SWS_Eep_00249</a> ).
	Pass	EEPROM write job finished successfully (see <a href="#">SWS_Eep_00248</a> ).
<b>Secondary Parameters:</b>	N/A	
<b>Time Required:</b>	N/A	
<b>Monitor Frequency</b>	Implementation specific	

[SWS\_Eep\_00249] | The production error code EEP\_E\_WRITE\_FAILED shall be reported with FAILED when the Eeprom write function failed | () (SRS\_BSW\_00337, SRS\_BSW\_00385, SRS\_BSW\_00327, SRS\_BSW\_00331)

[SWS\_Eep\_00248] | The production error code EEP\_E\_WRITE\_FAILED shall be reported with PASSED when the Eeprom write function was executed successfully. | () (SRS\_BSW\_00337, SRS\_BSW\_00385, SRS\_BSW\_00327, SRS\_BSW\_00331)

### 7.2.5.3 EEP\_E\_READ\_FAILED [SWS\_Eep\_00244]

<b>Error Name:</b>	EEP_E_READ_FAILED	
<b>Short Description:</b>	EEPROM read failed (HW)	
<b>Long Description:</b>	The Eeprom module reports this error when EEPROM read job fails due to a hardware error.	
<b>Detection Criteria:</b>	Fail	EEPROM read job failed (see <a href="#">SWS_Eep_00250</a> ).
	Pass	EEPROM read job finished successfully (see <a href="#">SWS_Eep_00252</a> ).
<b>Secondary Parameters:</b>	N/A	
<b>Time Required:</b>	N/A	
<b>Monitor Frequency</b>	Implementation specific	

[SWS\_Eep\_00250] | The production error code EEP\_E\_READ\_FAILED shall be reported with FAILED when the Eeprom read function failed.] () (SRS\_BSW\_00337, SRS\_BSW\_00385, SRS\_BSW\_00327, SRS\_BSW\_00331)

[SWS\_Eep\_00252] | The production error code EEP\_E\_READ\_FAILED shall be reported with PASSED when the Eeprom read function was executed successfully. | () (SRS\_BSW\_00337, SRS\_BSW\_00385, SRS\_BSW\_00327, SRS\_BSW\_00331)

#### 7.2.5.4 EEP\_E\_COMPARE\_FAILED [SWS\_Eep\_00245]

<b>Error Name:</b>	EEP E COMPARE FAILED	
<b>Short Description:</b>	EEPROM compare failed (HW)	
<b>Long Description:</b>	The Eeprom module reports this error when EEPROM compare job fails due to a hardware error.	
<b>Detection Criteria:</b>	Fail	EEPROM compare job failed (see <a href="#">SWS_Eep_00253</a> ).
	Pass	EEPROM compare job finished successfully (see <a href="#">SWS_Eep_00254</a> ).
<b>Secondary Parameters:</b>	N/A	
<b>Time Required:</b>	N/A	
<b>Monitor Frequency</b>	Implementation specific	

**[SWS\_Eep\_00253]** [ The production error code EEP\_E\_COMPARE\_FAILED shall be reported with FAILED when the Eeprom compare function failed.] () (SRS\_BSW\_00337, SRS\_BSW\_00385, SRS\_BSW\_00327, SRS\_BSW\_00331)

**[SWS\_Eep\_00254]** [ The production error code EEP\_E\_COMPARE\_FAILED shall be reported with PASSED when the Eeprom compare function was executed successfully. ] () (SRS\_BSW\_00337, SRS\_BSW\_00385, SRS\_BSW\_00327, SRS\_BSW\_00331)

### 7.3 Error detection

For details refer to the chapter 7.3 “Error Detection” in *SWS\_BSWGeneral*.

#### 7.3.1 API parameter checking

**[SWS\_Eep\_00016]** [If default error detection for the module Eep is enabled: the functions `Eep_Read()`, `Eep_Write()`, `Eep_Compare()` and `Eep_Erase()` shall check that `DataBufferPtr` is not NULL. If `DataBufferPtr` is NULL, they shall raise development error EEP\_E\_PARAM\_DATA, otherwise (if no default error detection is enabled) it shall return with `E_NOT_OK`. ] (SRS\_BSW\_00323, SRS\_SPAL\_12448)

**[SWS\_Eep\_00017]** [If default error detection for the module Eep is enabled: the functions `Eep_Read()`, `Eep_Write()`, `Eep_Compare()` and `Eep_Erase()` shall check that `EepromAddress` is valid. If `EepromAddress` is not within the valid EEPROM address range they shall raise development error EEP\_E\_PARAM\_ADDRESS, otherwise (if no default error detection is enabled) it shall return with `E_NOT_OK`. ] (SRS\_BSW\_00323, SRS\_SPAL\_12448)

**[SWS\_Eep\_00018]** [If default error detection for the module Eep is enabled: the functions `Eep_Read()`, `Eep_Write()`, `Eep_Compare()` and `Eep_Erase()`

shall check that the parameter `Length` is within the specified minimum and maximum values:

- Min.: 1
- Max.: `EepSize - EepromAddress`

If the parameter `Length` is not within the specified minimum and maximum values, they shall raise development error `EEP_E_PARAM_LENGTH`, otherwise (if no default error detection is enabled) it shall return with `E_NOT_OK`. ] (SRS\_BSW\_00323, SRS\_SPAL\_12448)

### 7.3.2 EEPROM state checking

**[SWS\_Eep\_00033]** [If default error detection for the module `Eep` is enabled: the functions `Eep_SetMode()`, `Eep_Read()`, `Eep_Write()`, `Eep_Compare()` and `Eep_Erase()` shall check the EEPROM state for being `MEMIF_IDLE`. If the EEPROM state is not `MEMIF_IDLE`, the called function shall

- raise development error `EEP_E_BUSY` or `EEP_E_UNINIT` according to the EEPROM state
- otherwise (if no default error detection is enabled) it shall reject the service with `E_NOT_OK` (except `Eep_SetMode()` because this service has no return value) ] (SRS\_BSW\_00406, SRS\_BSW\_00369, SRS\_SPAL\_12064, SRS\_SPAL\_12448, SRS\_Eep\_00095)

### 7.3.3 EEPROM job encounters Hardware Failure

**[SWS\_Eep\_00200]** [The production error code `EEP_E_ERASE_FAILED` shall be reported when the EEPROM erase function failed. ] (SRS\_BSW\_00337)

**[SWS\_Eep\_00201]** [The production error code `EEP_E_WRITE_FAILED` shall be reported when the EEPROM write function failed. ] (SRS\_BSW\_00337)

**[SWS\_Eep\_00202]** [The production error code `EEP_E_READ_FAILED` shall be reported when the EEPROM read function failed. ] (SRS\_BSW\_00337)

**[SWS\_Eep\_00203]** [The production error code `EEP_E_COMPARE_FAILED` shall be reported when the EEPROM compare function failed. ] (SRS\_BSW\_00337)

### 7.3.4 Timeout Supervision

**[SWS\_Eep\_00234]** [The development error code `EEP_E_TIMEOUT` shall be reported when the timeout supervision of a read, write, erase or compare job failed. ] ()

## 7.4 Error notification

For details refer to the chapter 7.2 “Error classification” in *SWS\_BSWGeneral*.

## 7.5 Processing of jobs – general requirements

**[SWS\_Eep\_00128]** [The Eep module shall allow to be configured for interrupt or polling controlled job processing (if this is supported by the EEPROM hardware) through the configuration parameter `EepUseInterrupts` (see [ECUC\\_Eep\\_00163](#)). ] ()

**[SWS\_Eep\_00129]** [If interrupt controlled job processing is supported and enabled, the external interrupt service routine located in `Eep_Irq.c` shall call an additional job processing function. ] ()

Hint:

The function `Eep_MainFunction` is still required for processing of jobs without hardware interrupt support (e.g. for read and compare jobs) and for timeout supervision.

### Additional general requirements only applicable for SPI EEPROM drivers:

**[SWS\_Eep\_00056]** [For an Eep module driving an external EEPROM through SPI: If the SPI access fails, the Eep module shall behave as specified in [SWS\\_Eep\\_00068](#). ] ()

**[SWS\_Eep\_00052]** [For an Eep module driving an external EEPROM through SPI: In normal EEPROM mode, the Eep module shall access the external EEPROM by usage of SPI channels that are configured for normal access to the SPI EEPROM. ] (SRS\_Eep\_12157, SRS\_Eep\_12124)

**[SWS\_Eep\_00053]** [For an Eep module driving an external EEPROM through SPI: The Eep’s configuration shall be such that the value of the configuration parameter `EepNormalReadBlockSize` fits to the number of bytes that are readable in normal SPI mode. ] (SRS\_Eep\_12157, SRS\_Eep\_12124)

**[SWS\_Eep\_00055]** [For an Eep module driving an external EEPROM through SPI: In fast EEPROM mode, the Eep module shall access the external EEPROM by usage of SPI channels that are configured for burst access to the SPI EEPROM. ] (SRS\_Eep\_12072, SRS\_Eep\_12124)

**[SWS\_Eep\_00073]** [For an Eep module driving an external EEPROM through SPI: The Eep’s configuration shall be such that the value of the configuration parameter `EepFastReadBlockSize` fits to the number of bytes that are readable in burst SPI mode. ] (SRS\_Eep\_12072, SRS\_Eep\_12124)

## 7.6 Processing of read jobs

**[SWS\_Eep\_00130]** [The Eep module shall provide two different read modes:

- normal mode
- fast mode] (SRS\_Eep\_12156)

**[SWS\_Eep\_00132]** [For an Eep module driving an external EEPROM: in case the external EEPROM does not support the burst mode, the Eep module shall accept a selection of fast read mode, but shall behave the same as in normal mode (don't care of mode parameter). ] (SRS\_Eep\_12156)

**[SWS\_Eep\_00051]** [In normal EEPROM mode, the Eep module shall read within one job processing cycle a number of bytes specified by the parameter `EepNormalReadBlockSize`. ] (SRS\_Eep\_12157, SRS\_Eep\_12050)

Example:

- `EepNormalReadBlockSize = 4`
- Number of bytes to read: 21
- Required number of job processing cycles: 6
- Resulting read pattern: 4-4-4-4-4-1

**[SWS\_Eep\_00054]** [In fast EEPROM mode, the Eep module shall read within one job processing cycle a number of bytes specified by the parameter `EepFastReadBlockSize`. ] (SRS\_Eep\_12072, SRS\_Eep\_12050)

Example:

- `EepFastReadBlockSize = 32`
- Number of bytes to read: 110
- Required number of job processing cycles: 4
- Resulting read pattern: 32-32-32-14

**[SWS\_Eep\_00058]** [When a read job is finished successfully, the Eep module shall set the EEPROM state to `MEMIF_IDLE` and shall set the job result to `MEMIF_JOB_OK`. If configured, the Eep module shall call the notification defined in the configuration parameter `EepJobEndNotification`. ] ()

**[SWS\_Eep\_00068]** [ When an error is detected during read job processing, the Eep module shall abort the job, shall set the EEPROM state to `MEMIF_IDLE` and shall set the job result to `MEMIF_JOB_FAILED`. If configured, the Eep module shall call the notification defined in the configuration parameter `EepJobErrorNotification`.] ()

## 7.7 Processing of write jobs

**[SWS\_Eep\_00057]** [The Eep module shall only write (and erase) as many bytes to the EEPROM as supported by the EEPROM hardware within one job processing cycle.]

For internal EEPROMs, usually 1 data word can be written per time. Some external EEPROMs provide a RAM buffer (e.g. page buffer) that allows writing many bytes in one step. ] (SRS\_Eep\_12050)

**[SWS\_Eep\_00133]** [The Eep module shall provide two different write modes:

- normal mode
- fast mode] ()

**[SWS\_Eep\_00134]** [For the case of an Eep module driving an external EEPROM: if the external EEPROMs does not provide burst mode, the Eep module shall accept a selection of fast mode, but shall behave the same as in normal mode (don't care of mode parameter). ] ()

**[SWS\_Eep\_00097]** [In normal EEPROM mode, the Eep module shall write (and erase) within one job processing cycle a number of bytes specified by the parameter `EepNormalWriteBlockSize`. ] ()

Example:

- `EepNormalWriteBlockSize = 1`
- Number of bytes to write: 4
- Required number of job processing cycles: 4
- Resulting write pattern: 1-1-1-1

**[SWS\_Eep\_00098]** [In fast EEPROM mode, the Eep module shall write (and erase) within one job processing cycle a number of bytes specified by the parameter `EepFastWriteBlockSize`. ] ()

Example:

- `EepFastWriteBlockSize = 16`
- Number of bytes to write: 55
- Required number of job processing cycles: 4
- Resulting write pattern: 16-16-16-7

**[SWS\_Eep\_00060]** [If the value to be written to an EEPROM cell is already contained in the EEPROM cell, the Eep module should<sup>1</sup> skip the programming of that cell if it is configured to do so through the configuration parameter `EepWriteCycleReduction`. ] (SRS\_Eep\_00092)

---

<sup>1</sup> This feature is not mandatory but it depends on the EEPROM hardware manufacturer specification  
30 of 68

**[SWS\_Eep\_00059]** [The Eep module shall erase an EEPROM cell before writing to it if this is not done automatically by the EEPROM hardware. ] ()

**[SWS\_Eep\_00063]** [The Eep module shall preserve data of affected EEPROM cells by performing read – modify – write operations, if the number of bytes to be written are smaller than the erasable and/or writeable data units. ] (SRS\_Eep\_00088, SRS\_Eep\_00094)

**[SWS\_Eep\_00090]** [The Eep module shall preserve data of affected EEPROM cells by performing read – modify – write operations, if the given parameters (`EepromAddress` and `Length`) do not align with the erasable/writeable data units. ] (SRS\_Eep\_00088, SRS\_Eep\_00094)

**[SWS\_Eep\_00064]** [The Eep module shall keep the number of read – modify – write operations during writing a data block as small as possible. ] (SRS\_Eep\_00092)

**[SWS\_Eep\_00219]** [When a write job is finished successfully, the Eep module shall set the EEPROM state to `MEMIF_IDLE` and shall set the job result to `MEMIF_JOB_OK`. If configured, the Eep module shall call the notification defined in the configuration parameter `EepJobEndNotification`. ] ()

**[SWS\_Eep\_00222]** [When an error is detected during write job processing, the Eep module shall abort the job, shall set the EEPROM state to `MEMIF_IDLE` and shall set the job result to `MEMIF_JOB_FAILED`. If configured, the Eep module shall call the notification defined in the configuration parameter `EepJobErrorNotification`. ] ()

Note: The verification of data written to EEPROM is not done within the write job processing function. If this is required for a data block, the compare function has to be called after the write job has been finished. This optimizes write speed, because data verification (read back and comparing data after writing) is only done where required.

## 7.8 Processing of erase jobs

**[SWS\_Eep\_00069]** [The Eep module shall erase only as many bytes to the EEPROM as supported by the EEPROM hardware within one job processing cycle. ] (SRS\_Eep\_12050)

**[SWS\_Eep\_00070]** [The Eep module shall use block erase commands if supported by the EEPROM hardware and if the given parameters (`EepromAddress` and `Length`) are aligned to erasable blocks. ] (SRS\_Eep\_00089, SRS\_Eep\_00094)

**[SWS\_Eep\_00072]** [The Eep module shall preserve the contents of affected EEPROM cells by using read – modify – write operations, if the given erase parameters (`EepromAddress` and `Length`) do not align with the erasable data units. ] (SRS\_Eep\_00089, SRS\_Eep\_00094)

**[SWS\_Eep\_00220]** [When an erase job is finished successfully, the Eep module shall set the EEPROM state to `MEMIF_IDLE` and shall set the job result to `MEMIF_JOB_OK`. If configured, the Eep module shall call the notification defined in the configuration parameter `EepJobEndNotification`. ] ()

**[SWS\_Eep\_00223]** [When an error is detected during erase job processing, the Eep module shall abort the job, shall set the EEPROM state to `MEMIF_IDLE` and shall set the job result to `MEMIF_JOB_FAILED`. If configured, the Eep module shall call the notification defined in the configuration parameter `EepJobErrorNotification`. ] ()

## 7.9 Processing of compare jobs

For processing of compare jobs, the following EEPROM mode related requirements are applicable: [SWS\\_Eep\\_00130](#), [SWS\\_Eep\\_00132](#), [SWS\\_Eep\\_00051](#), [SWS\\_Eep\\_00054](#).

**[SWS\_Eep\_00221]** [When a compare job is finished successfully, the Eep module shall set the EEPROM state to `MEMIF_IDLE` and shall set the job result to `MEMIF_JOB_OK`. If configured, the Eep module shall call the notification defined in the configuration parameter `EepJobEndNotification`. ] ()

**[SWS\_Eep\_00224]** [When an error is detected during compare job processing, the Eep module shall abort the job, shall set the EEPROM state to `MEMIF_IDLE` and shall set the job result to `MEMIF_JOB_FAILED`. If configured, the Eep module shall call the notification defined in the configuration parameter `EepJobErrorNotification`. ] ()

**[SWS\_Eep\_00075]** [When it is detected during compare job processing that the compared data areas are not equal, the EEPROM driver shall abort the job, set the EEPROM state to `MEMIF_IDLE` and the job result to `MEMIF_BLOCK_INCONSISTENT`. If configured, the callback function `Eep_JobErrorNotification` shall be called. ] ()

### Requirements only applicable for SPI EEPROM drivers:

For processing of compare jobs, the following read job requirements are applicable: [SWS\\_Eep\\_00052](#), [SWS\\_Eep\\_00053](#), [SWS\\_Eep\\_00055](#), [SWS\\_Eep\\_00073](#).



## 7.10 Version check

For details refer to the chapter 5.1.8 “Version Check” in *SWS\_BSWGeneral*.

## 7.11 Support for Debugging

**[SWS\_Eep\_00212]** [The EEPROM module state shall be available for debugging. ]  
(SRS\_BSW\_00442)

**[SWS\_Eep\_00213]** [The job result shall be available for debugging. ]  
(SRS\_BSW\_00442)

**[SWS\_Eep\_00214]** [The EEPROM operation mode shall be available for debugging.  
] (SRS\_BSW\_00442)

## 8 API specification

### 8.1 Imported types

In this chapter all types included from the following files are listed:

[SWS\_Eep\_00138] [

<i>Module</i>	<i>Imported Type</i>
Dem	Dem_EventIdType
	Dem_EventStatusType
Memlf	Memlf_JobResultType
	Memlf_ModeType
	Memlf_StatusType
Std_Types	Std_ReturnType
	Std_VersionInfoType

] (SRS\_BSW\_00335, SRS\_BSW\_00357, SRS\_BSW\_00377)

### 8.2 Type definitions

#### 8.2.1 Eep\_ConfigType

[SWS\_Eep\_00225] [

<b>Name:</b>	Eep_ConfigType	
<b>Type:</b>	Structure	
<b>Range:</b>	Implementation Specific	The contents of the initialization data structure are EEPROM specific.
<b>Description:</b>	This is the type of the external data structure containing the initialization data for the EEPROM driver.	

] ()

#### 8.2.2 Eep\_AddressType

[SWS\_Eep\_00226] [

<b>Name:</b>	Eep_AddressType		
<b>Type:</b>	uint		
<b>Range:</b>	8 / 16 / 32 bits	--	Size depends on target platform and EEPROM device.
<b>Description:</b>	Used as address offset from the configured EEPROM base address to access a certain EEPROM memory area.		

] ()

[SWS\_Eep\_00113] [The type Eep\_AddressType shall have 0 as lower limit for each EEPROM device. ] ()

[SWS\_Eep\_00217] [The EEPROM module shall add a device specific base address to the address type Eep\_AddressType if necessary. ] ()

### 8.2.3 Eep\_LengthType

[SWS\_Eep\_00227] [

<b>Name:</b>	Eep_LengthType	
<b>Type:</b>	uint	
<b>Range:</b>	Same as Eep_AddressType	-- Is the same type as Eep_AddressType because of arithmetic operations. Size depends on target platform and EEPROM device.
<b>Description:</b>	Specifies the number of bytes to read/write/erase/compare.	

] ()

## 8.3 Function definitions

### 8.3.1 Eep\_Init

[SWS\_Eep\_00143] [

<b>Service name:</b>	Eep_Init	
<b>Syntax:</b>	void Eep_Init( const Eep_ConfigType* ConfigPtr )	
<b>Service ID[hex]:</b>	0x00	
<b>Sync/Async:</b>	Synchronous	
<b>Reentrancy:</b>	Non Reentrant	
<b>Parameters (in):</b>	ConfigPtr	Pointer to configuration set.
<b>Parameters (inout):</b>	None	
<b>Parameters (out):</b>	None	
<b>Return value:</b>	None	
<b>Description:</b>	Service for EEPROM initialization.	

] ()

[SWS\_Eep\_00004] [The function Eep\_Init shall initialize all EEPROM relevant registers with the values of the structure referenced by the parameter ConfigPtr. ] (SRS\_BSW\_00101, SRS\_SPAL\_12057, BSW12062)

[SWS\_Eep\_00006] [After having finished the module initialization, the function Eep\_Init shall set the EEPROM state to MEMIF\_IDLE and shall set the job result to MEMIF\_JOB\_OK. ] (SRS\_BSW\_00406)

[SWS\_Eep\_00044] [The function Eep\_Init shall set the EEPROM mode to the configured default mode] ()

[SWS\_Eep\_00115] [The Eep's user shall not call the function Eep\_Init during a running operation. ] ()

### 8.3.2 Eep\_SetMode

[SWS\_Eep\_00144] [

<b>Service name:</b>	Eep_SetMode
<b>Syntax:</b>	void Eep_SetMode( MemIf_ModeType Mode )
<b>Service ID[hex]:</b>	0x01
<b>Sync/Async:</b>	Synchronous
<b>Reentrancy:</b>	Non Reentrant
<b>Parameters (in):</b>	Mode MEMIF_MODE_SLOW: Slow read access / normal SPI access. MEMIF_MODE_FAST: Fast read access / SPI burst access.
<b>Parameters (inout):</b>	None
<b>Parameters (out):</b>	None
<b>Return value:</b>	None
<b>Description:</b>	Sets the mode.

] ()

[SWS\_Eep\_00042] [The function Eep\_SetMode shall set the EEPROM operation mode to the given mode parameter.

The function Eep\_SetMode checks the EEPROM state according to requirement [SWS Eep 00033](#). ] (SRS\_Eep\_12156)

[SWS\_Eep\_00116] [The Eep's user shall not call the function Eep\_SetMode during a running operation. ] ()

### 8.3.3 Eep\_Read

[SWS\_Eep\_00145] [

<b>Service name:</b>	Eep_Read
<b>Syntax:</b>	Std_ReturnType Eep_Read( Eep_AddressType EepromAddress, uint8* DataBufferPtr, Eep_LengthType Length )
<b>Service ID[hex]:</b>	0x02
<b>Sync/Async:</b>	Asynchronous
<b>Reentrancy:</b>	Non Reentrant

<b>Parameters (in):</b>	EepromAddress	Address offset in EEPROM (will be added to the EEPROM base address). Min.: 0 Max.: EEP_SIZE - 1
	Length	Number of bytes to read Min.: 1 Max.: EEP_SIZE - EepromAddress
<b>Parameters (inout):</b>	None	
<b>Parameters (out):</b>	DataBufferPtr	Pointer to destination data buffer in RAM
<b>Return value:</b>	Std_ReturnType	E_OK: read command has been accepted E_NOT_OK: read command has not been accepted
<b>Description:</b>	Reads from EEPROM.	

] ()

**[SWS\_Eep\_00009]** [The function Eep\_Read shall copy the given parameters, initiate a read job, set the EEPROM status to MEMIF\_BUSY, set the job result to MEMIF\_JOB\_PENDING and return. ] (SRS\_Eep\_00087)

**[SWS\_Eep\_00013]** [The Eep module shall execute the read job asynchronously within the Eep module's job processing function. During job processing the Eep module shall read a data block of size Length from EepromAddress + EEPROM base address to \*DataBufferPtr.

The function Eep\_Read checks the API parameters according to requirements [SWS\\_Eep\\_00016](#), [SWS\\_Eep\\_00017](#), [SWS\\_Eep\\_00018](#).

The function Eep\_Read checks the EEPROM state according to requirement [SWS\\_Eep\\_00033](#). ] (SRS\_Eep\_00087)

**[SWS\_Eep\_00117]** [The Eep's user shall only call Eep\_Read after the Eep module has been initialized. ] ()

**[SWS\_Eep\_00118]** [The Eep's user shall not call the function Eep\_Read during a running Eep module job (read/write/erase/compare). ] ()

### 8.3.4 Eep\_Write

**[SWS\_Eep\_00146]** [

<b>Service name:</b>	Eep_Write
<b>Syntax:</b>	Std_ReturnType Eep_Write( Eep_AddressType EepromAddress, const uint8* DataBufferPtr, Eep_LengthType Length )
<b>Service ID[hex]:</b>	0x03
<b>Sync/Async:</b>	Asynchronous
<b>Reentrancy:</b>	Non Reentrant
<b>Parameters (in):</b>	EepromAddress   Address offset in EEPROM (will be added to the EEPROM base

		address). Min.: 0 Max.: EEPROM_SIZE - 1  This target address will be added to the EEPROM base address.
	DataBufferPtr	Pointer to source data
	Length	Number of bytes to write Min.: 1 Max.: EEPROM_SIZE - EepromAddress
<b>Parameters (inout):</b>	None	
<b>Parameters (out):</b>	None	
<b>Return value:</b>	Std_ReturnType	E_OK: write command has been accepted E_NOT_OK: write command has not been accepted
<b>Description:</b>	Writes to EEPROM.	

] ()

**[SWS\_Eep\_00014]** [The function Eep\_Write shall copy the given parameters, initiate a write job, set the EEPROM status to MEMIF\_BUSY, set the job result to MEMIF\_JOB\_PENDING and return. ] (SRS\_Eep\_00088)

**[SWS\_Eep\_00015]** [The Eep module shall execute the write job asynchronously within the Eep module's job processing function. During job processing the Eep module shall write a data block of size Length from \*DataBufferPtr to EepromAddress + EEPROM base address.

The function Eep\_Write checks the API parameters according to requirements SWS\_Eep\_00016, SWS\_Eep\_00017, SWS\_Eep\_00018.

The function Eep\_Write checks the EEPROM state according to requirement [SWS\\_Eep\\_00033](#). ] (SRS\_Eep\_00088)

**[SWS\_Eep\_00119]** [The Eep module's user shall only call the function Eep\_Write after the Eep module has been initialized. ] ()

**[SWS\_Eep\_00120]** [The Eep module's user shall not call the function Eep\_Write during a running Eep module job (read/write/erase/compare). ] ()

### 8.3.5 Eep\_Erase

**[SWS\_Eep\_00147]** [

<b>Service name:</b>	Eep_Erase
<b>Syntax:</b>	Std_ReturnType Eep_Erase( Eep_AddressType EepromAddress, Eep_LengthType Length )
<b>Service ID[hex]:</b>	0x04
<b>Sync/Async:</b>	Asynchronous
<b>Reentrancy:</b>	Non Reentrant

<b>Parameters (in):</b>	EepromAddress	Start address in EEPROM Min.: 0 Max.: EEP_SIZE - 1  This address will be added to the EEPROM base address.
	Length	Number of bytes to erase Min.: 1 Max.: EEP_SIZE - EepromAddress
<b>Parameters (inout):</b>	None	
<b>Parameters (out):</b>	None	
<b>Return value:</b>	Std_ReturnType	E_OK: erase command has been accepted E_NOT_OK: erase command has not been accepted
<b>Description:</b>	Service for erasing EEPROM sections.	

] ()

**[SWS\_Eep\_00019]** [The function Eep\_Erase shall copy the given parameters, initiate an erase job, set the EEPROM status to MEMIF\_BUSY, set the job result to MEMIF\_JOB\_PENDING and return. ] (SRS\_Eep\_00089)

**[SWS\_Eep\_00020]** [The Eep module shall execute the erase job asynchronously within the Eep module's job processing function. The Eep module shall erase an EEPROM block starting from EepromAddress + EEPROM base address of size Length.

The function Eep\_Erase checks the API parameters according to requirements SWS\_Eep\_00016, SWS\_Eep\_00017, SWS\_Eep\_00018.

The function Eep\_Erase checks the EEPROM state according to requirement [SWS\\_Eep\\_00033](#). ] (SRS\_Eep\_00089)

**[SWS\_Eep\_00121]** [The Eep module's user shall only call the function Eep\_Erase after the Eep module has been initialized. ] ()

**[SWS\_Eep\_00122]** [The Eep module's user shall not call the function Eep\_Erase during a running Eep job (read/write/erase/compare). ] ()

### 8.3.6 Eep\_Compare

**[SWS\_Eep\_00148]** [

<b>Service name:</b>	Eep_Compare
<b>Syntax:</b>	Std_ReturnType Eep_Compare( Eep_AddressType EepromAddress, const uint8* DataBufferPtr, Eep_LengthType Length )
<b>Service ID[hex]:</b>	0x05
<b>Sync/Async:</b>	Asynchronous
<b>Reentrancy:</b>	Non Reentrant

<b>Parameters (in):</b>	EepromAddress	Address offset in EEPROM (will be added to the EEPROM base address). Min.: 0 Max.: EEP_SIZE - 1  This target address will be added to the EEPROM base address.
	DataBufferPtr	Pointer to data buffer (compare data)
	Length	Number of bytes to compare Min.: 1 Max.: EEP_SIZE - EepromAddress
<b>Parameters (inout):</b>	None	
<b>Parameters (out):</b>	None	
<b>Return value:</b>	Std_ReturnType	E_OK: compare command has been accepted E_NOT_OK: compare command has not been accepted
<b>Description:</b>	Compares a data block in EEPROM with an EEPROM block in the memory.	

] ()

**[SWS\_Eep\_00025]** [The function Eep\_Compare shall copy the given parameters, initiate a compare job, set the EEPROM status to MEMIF\_BUSY, set the job result to MEMIF\_JOB\_PENDING and return. ] (SRS\_Eep\_12091)

**[SWS\_Eep\_00026]** [The Eep module shall execute the compare job asynchronously within the Eep module's job processing function. During job processing the Eep module shall compare the EEPROM data block at EepromAddress + EEPROM base address of size Length with the data block at \*DataBufferPtr of the same length.

The service Eep\_Compare checks the API parameters according to requirements SWS\_Eep\_00016, SWS\_Eep\_00017, SWS\_Eep\_00018.

The service Eep\_Compare checks the EEPROM state according to requirement [SWS\\_Eep\\_00033](#). ] (SRS\_Eep\_12091)

**[SWS\_Eep\_00123]** [The Eep module's user shall only call the function Eep\_Compare after the Eep module has been initialized. ] ()

**[SWS\_Eep\_00124]** [The Eep module's user shall not call the function Eep\_Compare during a running Eep job (read/write/erase/compare). ] ()

### 8.3.7 Eep\_Cancel

**[SWS\_Eep\_00149]** [

<b>Service name:</b>	Eep_Cancel
<b>Syntax:</b>	void Eep_Cancel( void )
<b>Service ID[hex]:</b>	0x06
<b>Sync/Async:</b>	Synchronous
<b>Reentrancy:</b>	Non Reentrant



<b>Parameters (in):</b>	None
<b>Parameters (inout):</b>	None
<b>Parameters (out):</b>	None
<b>Return value:</b>	None
<b>Description:</b>	Cancels a running job.

] ()

**[SWS\_Eep\_00215]** [The function `Eep_Cancel` shall cancel an ongoing EEPROM read, write, erase or compare job. ] (SRS\_Eep\_00090)

**[SWS\_Eep\_00021]** [The function `Eep_Cancel` shall abort a running job synchronously so that directly after returning from this function a new job can be requested by the upper layer. ] (SRS\_Eep\_00090)

Note: The function `Eep_Cancel` is synchronous in its behavior but at the same time asynchronous w.r.t. the underlying hardware. The job of the `Eep_Cancel` function (i.e. make the module ready for a new job request) is finished when it returns to the caller (hence it is synchronous), but on the other hand e.g. an erase job might still be ongoing in the hardware device (hence it is asynchronous w.r.t. the hardware).

**[SWS\_Eep\_00027]** [The function `Eep_Cancel` shall set the EEP module state to `MEMIF_IDLE`. ] (SRS\_Eep\_00090)

**[SWS\_Eep\_00216]** [If configured, `Eep_Cancel` shall call the error notification function defined in `EepJobErrorNotification` in order to inform the caller about the cancelation of a job. ] (SRS\_Eep\_00090)

**[SWS\_Eep\_00028]** [The function `Eep_Cancel` shall set the job result to `MEMIF_JOB_CANCELED` if the job result currently has the value `MEMIF_JOB_PENDING`. Otherwise it shall leave the job result unchanged. ] (SRS\_Eep\_00090)

**[SWS\_Eep\_00136]** [The Eep module's user shall not call the `Eep_Cancel()` function during a running `Eep_MainFunction()` function.

[SWS\\_Eep\\_00136](#) can be achieved by one of the following scheduling configurations:

- Possibility 1: the job functions of the NVRAM manager and the EEPROM driver are synchronized (e.g. called sequentially within one task)
- Possibility 2: the task that calls the `Eep_MainFunction` function cannot be preempted by another task. ] ()

Note: The states and data of the affected EEPROM cells will be undefined when canceling an ongoing write or erase job with the function `Eep_Cancel`.

Only the NVRAM Manager is authorized to use the function `Eep_Cancel`.

Canceling any job on-going with the service Eep\_Cancel in an external EEPROM device might set this one in a blocking state.

### 8.3.8 Eep\_GetStatus

[SWS\_Eep\_00150] [

<b>Service name:</b>	Eep_GetStatus	
<b>Syntax:</b>	MemIf_StatusType Eep_GetStatus ( void )	
<b>Service ID[hex]:</b>	0x07	
<b>Sync/Async:</b>	Synchronous	
<b>Reentrancy:</b>	Reentrant	
<b>Parameters (in):</b>	None	
<b>Parameters (inout):</b>	None	
<b>Parameters (out):</b>	None	
<b>Return value:</b>	MemIf_StatusType	See document [3]
<b>Description:</b>	Returns the EEPROM status.	

] ()

[SWS\_Eep\_00029] [The function Eep\_GetStatus shall return the EEPROM status synchronously. ] (SRS\_SPAL\_00157, SRS\_Eep\_00091)

### 8.3.9 Eep\_GetJobResult

[SWS\_Eep\_00151] [

<b>Service name:</b>	Eep_GetJobResult	
<b>Syntax:</b>	MemIf_JobResultType Eep_GetJobResult ( void )	
<b>Service ID[hex]:</b>	0x08	
<b>Sync/Async:</b>	Synchronous	
<b>Reentrancy:</b>	Reentrant	
<b>Parameters (in):</b>	None	
<b>Parameters (inout):</b>	None	
<b>Parameters (out):</b>	None	
<b>Return value:</b>	MemIf_JobResultType	See document [3]
<b>Description:</b>	This service returns the result of the last job.	

] ()

[SWS\_Eep\_00024] [The function Eep\_GetJobResult shall synchronously return the result of the last job that has been accepted by the Eep module. ] (SRS\_SPAL\_00157)

The services read/write/compare/erase share the same job status. Only the result of the last accepted job can be queried. Every new job that has been accepted by the EEPROM driver overwrites the job result with MEMIF\_JOB\_PENDING.

### 8.3.10 Eep\_GetVersionInfo

[SWS\_Eep\_00152] [

<b>Service name:</b>	Eep_GetVersionInfo
<b>Syntax:</b>	void Eep_GetVersionInfo( Std_VersionInfoType* versioninfo )
<b>Service ID[hex]:</b>	0x0a
<b>Sync/Async:</b>	Synchronous
<b>Reentrancy:</b>	Reentrant
<b>Parameters (in):</b>	None
<b>Parameters (inout):</b>	None
<b>Parameters (out):</b>	versioninfo   Pointer to where to store the version information of this module.
<b>Return value:</b>	None
<b>Description:</b>	Service to get the version information of this module.

] ()

[SWS\_Eep\_00239] [If default error detection for the module Eep is enabled, and if the function Eep\_GetVersionInfo is called with a NULL Pointer, the function Eep\_GetVersionInfo shall raise the development error EEP\_E\_PARAM\_POINTER, otherwise (if no default error detection is enabled) it shall return without any action. ]  
()

## 8.4 Callback notifications

This chapter lists all functions provided by the Eep module to lower layer modules.

The EEPROM Driver is specified for either an internal microcontroller peripheral or an SPI external device. In the first case, the module belongs to the lowest layer of AUTOSAR Software Architecture hence this module specification has not identified any callback functions. In the second case, the module belongs to the ECU abstraction layer of AUTOSAR Software Architecture hence this module should provide callback notifications according to the SPI Handler/Driver specification requirements but those can not be specified here because they depend on module detailed design. That means, they depend on number of SPI Jobs and SPI Sequences that will be used.

[SWS\_Eep\_00137] [ **In case the Eep module support an SPI external device, the Eep module shall provide additional callback notifications according to the SPI Handler/Driver specification requirements.] ()**

## 8.5 Scheduled functions

This chapter lists all functions provided by the Eep module and called directly by the Basic Software Module Scheduler.

### 8.5.1 Eep\_MainFunction

[SWS\_Eep\_00153] [

<b>Service name:</b>	Eep_MainFunction
<b>Syntax:</b>	void Eep_MainFunction( void )
<b>Service ID[hex]:</b>	0x09
<b>Description:</b>	Service to perform the processing of the EEPROM jobs (read/write/erase/compare) .

] ()

[SWS\_Eep\_00030] [The function Eep\_MainFunction shall perform the processing of the EEPROM read, write, erase and compare jobs. ] (SRS\_Eep\_12047)

[SWS\_Eep\_00031] [When a job has been initiated, the Eep's user shall call the function Eep\_MainFunction cyclically until the job is finished. ] ()

Note: The function Eep\_MainFunction may also be called cyclically if no job is currently pending.

[SWS\_Eep\_00084] [The configuration parameter EepJobCallCycle (see [ECUC Eep\\_00170](#)) shall be used for internal timing of the EEPROM driver (deadline monitoring, write and erase timing etc.) if needed by the implementation and/or the underlying hardware. ] ()

[SWS\_Eep\_00032] [The function Eep\_MainFunction shall return without action if no job is pending. ] (SRS\_Eep\_12047)

[SWS\_Eep\_00204] [The function Eep\_MainFunction shall set the job result to MEMIF\_JOB\_FAILED and report the error code EEP\_E\_ERASE\_FAILED to the DEM if an EEPROM erase job fails due to a hardware error. ] ()

[SWS\_Eep\_00205] [The function Eep\_MainFunction shall set the job result to MEMIF\_JOB\_FAILED and report the error code EEP\_E\_WRITE\_FAILED to the DEM if an EEPROM write job fails due to a hardware error. ] ()

[SWS\_Eep\_00206] [The function Eep\_MainFunction shall set the job result to MEMIF\_JOB\_FAILED and report the error code EEP\_E\_READ\_FAILED to the DEM if an EEPROM read job fails due to a hardware error. ] ()

**[SWS\_Eep\_00207]** [The function `Eep_MainFunction` shall set the job result to `MEMIF_JOB_FAILED` and report the error code `EEP_E_COMPARE_FAILED` to the DEM if an EEPROM compare job fails due to a hardware error. ] ()

**[SWS\_Eep\_00235]** [If default error detection for the module Eep is enabled, the function `Eep_MainFunction` shall provide a timeout monitoring for the currently running job. That is it shall supervise the deadline of the read / compare / erase or write job. ] ()

**[SWS\_Eep\_00236]** [If default error detection for the module Eep is enabled, the function `Eep_MainFunction` shall check whether the configured maximum erase time (see [ECUC Eep\\_00178](#) `EepEraseTime`) has been exceeded. If this is the case, the function `Eep_MainFunction` shall raise the development error `EEP_E_TIMEOUT`. ] ()

**[SWS\_Eep\_00237]** [If default error detection for the module Eep is enabled, the function `Eep_MainFunction` shall check whether the expected maximum write time (see note below) has been exceeded. If this is the case, the function `Eep_MainFunction` shall raise the development error `EEP_E_TIMEOUT`. ] ()

Note: The expected maximum write time depends on the current mode of the Eep module (see [SWS Eep\\_00144](#)), the configured number of bytes to write in this mode (see [ECUC Eep\\_00174](#) and [ECUC Eep\\_00169](#) respectively), the size of a EEPROM write data unit (see [ECUC Eep\\_00186](#)) and last the maximum time to write one data unit (see [ECUC Eep\\_00185](#)). The number of bytes to write divided by the size of one EEPROM data unit yields the number of data units to write in one cycle. This multiplied with the maximum write time for one EEPROM data unit gives the expected maximum write time.

**[SWS\_Eep\_00238]** [If default error detection for the module Eep is enabled, the function `Eep_MainFunction` shall check whether the expected maximum read / compare time (see note below) has been exceeded. If this is the case, the function `Eep_MainFunction` shall raise the development error `EEP_E_TIMEOUT`. ] ()

Note: There are currently no published parameters standardized for read / compare timings; these are difficult to standardize as they mostly depend on whether the EEPROM device is internal or external e.g. connected via SPI. Depending on the exact configuration being used, the implementation may use vendor-specific parameters similar as described for write jobs above. The configured number of bytes to read (and to compare) is coupled to the expected read / compare times which should be supervised by the `Eep_MainFunction`.

## 8.6 Expected Interfaces

This chapter lists all functions the Eep module requires from other modules.

### 8.6.1 Mandatory Interfaces

This chapter defines all interfaces which are required to fulfill the core functionality of the module.

**[SWS\_Eep\_00154]** [

<i>API function</i>	<i>Description</i>
Dem_ReportErrorStatus	Queues the reported events from the BSW modules (API is only used by BSW modules). The interface has an asynchronous behavior, because the processing of the event is done within the Dem main function. OBD Events Suppression shall be ignored for this computation.

] ()

### 8.6.2 Optional Interfaces

This chapter defines all interfaces which are required to fulfill an optional functionality of EEPROM Driver module.

**[SWS\_Eep\_00155]** [

<i>API function</i>	<i>Description</i>
Det_ReportError	Service to report development errors.

] ()

### 8.6.3 Configurable interfaces

In this chapter all interfaces are listed where the target function could be configured. The target function is usually a call-back function. The name of these interfaces is not fixed because they are configurable.

**[SWS\_Eep\_00047]** [If a callback function is being configured at post build time, the initialization data structure Eep\_ConfigType shall contain a corresponding function pointer. ] (SRS\_SPAL\_12056, SRS\_SPAL\_00157)

**[SWS\_Eep\_00049]** [Notification callback functions are configurable through their corresponding configuration parameters. If no callback function is configured, there shall be no asynchronous notification. ] (SRS\_SPAL\_12056)

Note: The EEP implementation needs to be able to cope with the use case that post build configuration does not specify a callback, in case no notification is required. This may internally be realized by setting the callback function pointer in the initialization data structure to null.

### 8.6.3.1 End Job Notification

**[SWS\_Eep\_00045]** [The Eep module shall call the callback function defined in the configuration parameter EepJobEndNotification when a job has been completed with a positive result:

- Read finished & OK
- Write finished & OK
- Erase finished & OK
- Compare finished & data blocks are equal ] (SRS\_SPAL\_00157)

**[SWS\_Eep\_00157]** [

<b>Service name:</b>	Eep_JobEndNotification
<b>Syntax:</b>	void Eep_JobEndNotification( void )
<b>Sync/Async:</b>	Synchronous
<b>Reentrancy:</b>	Don't care
<b>Parameters (in):</b>	None
<b>Parameters (inout):</b>	None
<b>Parameters (out):</b>	None
<b>Return value:</b>	None
<b>Description:</b>	This callback function provided by the module user is called when a job has been completed with a positive result.

] ()

**[SWS\_Eep\_00126]** [The callback function defined in the configuration parameter EepJobEndNotification shall be callable on interrupt level. ] ()

### 8.6.3.2 Error Job Notification

**[SWS\_Eep\_00046]** [The Eep module shall call the callback function defined in the configuration parameter EepJobErrorNotification when a job has been canceled or aborted with negative result:

- Read aborted
- Write aborted or failed
- Erase aborted or failed
- Compare aborted or data blocks are not equal. ] (SRS\_SPAL\_00157)

**[SWS\_Eep\_00158]** [

<b>Service name:</b>	Eep_JobErrorNotification
<b>Syntax:</b>	void Eep_JobErrorNotification( void )
<b>Sync/Async:</b>	Synchronous
<b>Reentrancy:</b>	Don't care

<b>Parameters (in):</b>	None
<b>Parameters (inout):</b>	None
<b>Parameters (out):</b>	None
<b>Return value:</b>	None
<b>Description:</b>	This callback function provided by the module user is called when a job has been canceled or finished with negative result.

] ()

**[SWS\_Eep\_00127]** [The callback function defined in the configuration parameter EepJobErrorNotification shall be callable on interrupt level. ] ()



## 9 Sequence diagrams

### 9.1 Initialization

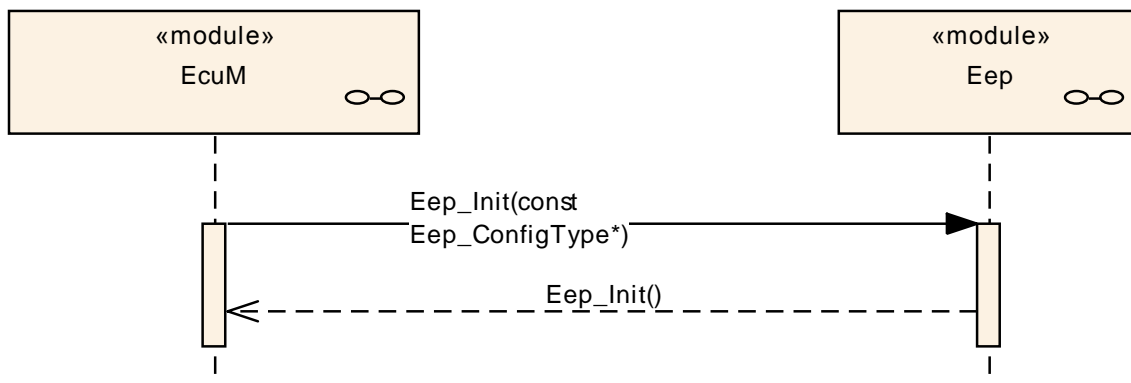


Figure 2

### 9.2 Read/write/erase/compare

The following sequence diagram shows the write function as an example. The sequence for read, compare and erase is the same, only the processed block sizes may vary.

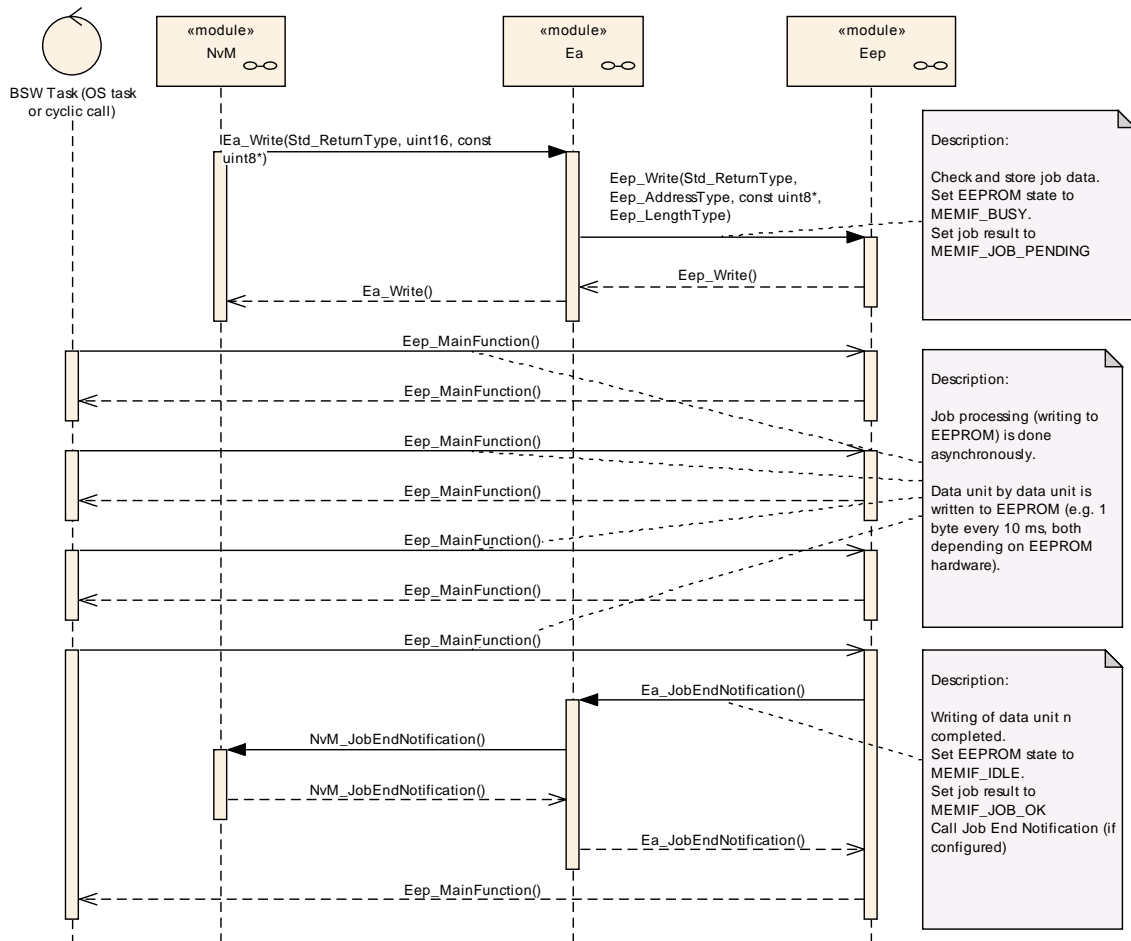


Figure 3

### 9.3 Cancelation of a running job

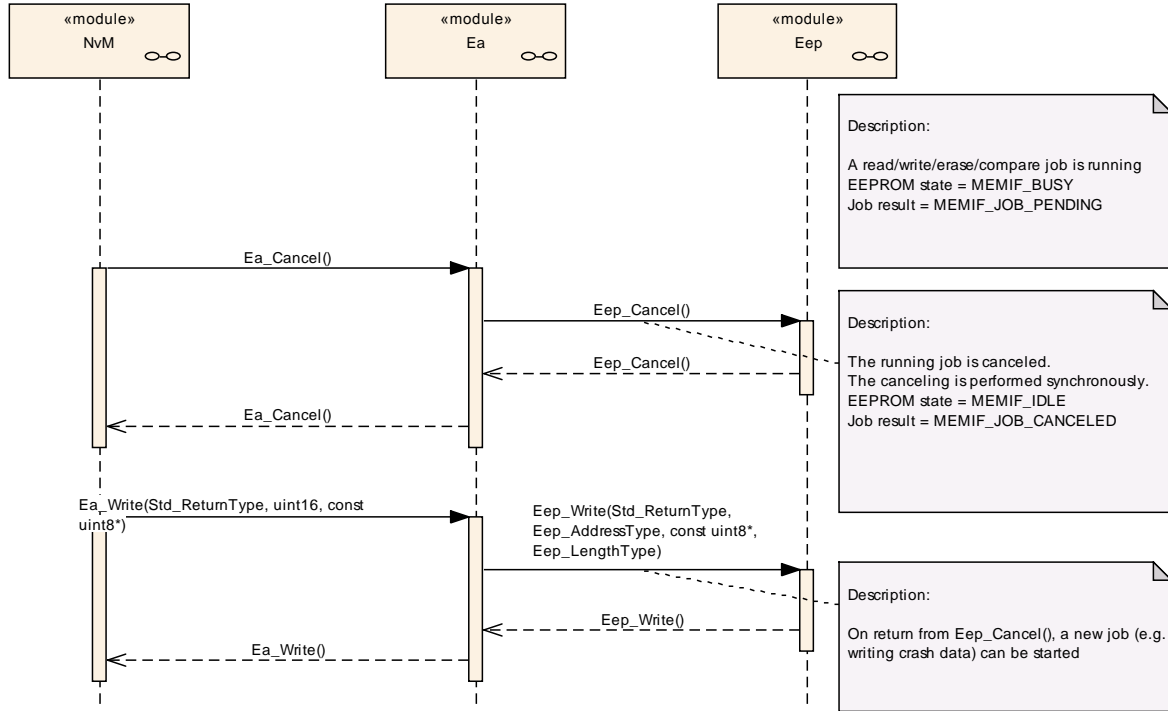


Figure 4

## 10 Configuration specification

### 10.1 How to read this chapter

For details refer to the chapter 10.1 “Introduction to configuration specification” in *SWS\_BSWGeneral*.

## 10.2 Containers and configuration parameters

The following chapters summarize all configuration parameters. The detailed meanings of the parameters are described in Chapter 7 and Chapter 8. Further hardware / implementation specific parameters can be added if necessary.

### 10.2.1 Variants

#### [SWS\_Eep\_00109] [VARIANT-PRE-COMPILE

Only parameters with “Pre-compile time” configuration are allowed in this variant. ] (SRS\_BSW\_00396, SRS\_BSW\_00397)

#### [SWS\_Eep\_00110] [VARIANT-POST-BUILD

Parameters with “Pre-compile time”, “Link time” and “Post-build time” are allowed in this variant. ] (SRS\_BSW\_00404, SRS\_BSW\_00396, SRS\_BSW\_00398)

### 10.2.2 Eep

<b>Module Name</b>	<i>Eep</i>
<b>Module Description</b>	Configuration of the Eep (internal or external EEPROM driver) module. Its multiplicity describes the number of EEPROM drivers present, so there will be one container for each EEPROM driver in the ECUC template. When no EEPROM driver is present then the multiplicity is 0.
<b>Post-Build Variant Support</b>	true

<b>Included Containers</b>		
<b>Container Name</b>	<b>Multiplicity</b>	<b>Scope / Dependency</b>
EepGeneral	1	Container for general configuration parameters of the EEPROM driver. These parameters are always pre-compile.
EepInitConfiguration	1	Container for runtime configuration parameters of the EEPROM driver. Implementation Type: Eep_ConfigType.
EepPublishedInformation	1	Additional published parameters not covered by CommonPublishedInformation container. Note that these parameters do not have any configuration class setting, since they are published information.

### 10.2.3 EepGeneral

<b>SWS Item</b>	<b>ECUC_Eep_00085 :</b>
<b>Container Name</b>	EepGeneral
<b>Description</b>	Container for general configuration parameters of the EEPROM driver. These parameters are always pre-compile.
<b>Configuration Parameters</b>	

<b>SWS Item</b>	<b>ECUC_Eep_00188 :</b>		
<b>Name</b>	EepDevErrorDetect		
<b>Description</b>	Switches the Default Error Tracer (Det) detection and notification ON or OFF.  <ul style="list-style-type: none"> <li>• true: enabled (ON).</li> <li>• false: disabled (OFF).</li> </ul>		
<b>Multiplicity</b>	1		
<b>Type</b>	EcucBooleanParamDef		
<b>Default value</b>	true		
<b>Post-Build Variant Value</b>	false		
<b>Value Configuration Class</b>	<b>Pre-compile time</b>	X	All Variants
	<b>Link time</b>	--	
	<b>Post-build time</b>	--	
<b>Scope / Dependency</b>	scope: local		

<b>SWS Item</b>	<b>ECUC_Eep_00189 :</b>		
<b>Name</b>	EepDriverIndex		
<b>Description</b>	Index of the driver, used by EA.		
<b>Multiplicity</b>	1		
<b>Type</b>	EcucIntegerParamDef (Symbolic Name generated for this parameter)		
<b>Range</b>	0 .. 254		
<b>Default value</b>	--		
<b>Post-Build Variant Value</b>	false		
<b>Value Configuration Class</b>	<b>Pre-compile time</b>	X	All Variants
	<b>Link time</b>	--	
	<b>Post-build time</b>	--	
<b>Scope / Dependency</b>	scope: ECU		

<b>SWS Item</b>	<b>ECUC_Eep_00163 :</b>		
<b>Name</b>	EepUseInterrupts		
<b>Description</b>	Switches to activate or deactivate interrupt controlled job processing. true: Interrupt controlled job processing enabled. false: Interrupt controlled job processing disabled.		
<b>Multiplicity</b>	1		
<b>Type</b>	EcucBooleanParamDef		
<b>Default value</b>	false		
<b>Post-Build Variant Value</b>	false		
<b>Value Configuration Class</b>	<b>Pre-compile time</b>	X	All Variants
	<b>Link time</b>	--	
	<b>Post-build time</b>	--	
<b>Scope / Dependency</b>	scope: local dependency: Usually, this is only supported by some internal EEPROM peripherals.		

<b>SWS Item</b>	<b>ECUC_Eep_00164 :</b>		
<b>Name</b>	EepVersionInfoApi		
<b>Description</b>	Pre-processor switch to enable / disable the API to read out the modules version information. true: Version info API enabled. false: Version info API disabled.		
<b>Multiplicity</b>	1		
<b>Type</b>	EcucBooleanParamDef		
<b>Default value</b>	false		
<b>Post-Build Variant Value</b>	false		
<b>Value Configuration Class</b>	<b>Pre-compile time</b>	X	All Variants

	<b>Link time</b>	--	
	<b>Post-build time</b>	--	
<b>Scope / Dependency</b>	scope: local		

<b>SWS Item</b>	<b>ECUC_Eep_00165 :</b>		
<b>Name</b>	EepWriteCycleReduction		
<b>Description</b>	Switches to activate or deactivate write cycle reduction (EEPROM value is read and compared before being overwritten). true: Write cycle reduction enabled. false: Write cycle reduction disabled.		
<b>Multiplicity</b>	1		
<b>Type</b>	EcucBooleanParamDef		
<b>Default value</b>	false		
<b>Post-Build Variant Value</b>	false		
<b>Value Configuration Class</b>	<b>Pre-compile time</b>	X	All Variants
	<b>Link time</b>	--	
	<b>Post-build time</b>	--	
<b>Scope / Dependency</b>	scope: local		

**No Included Containers**

### 10.2.4 EepInitConfiguration

<b>SWS Item</b>	<b>ECUC_Eep_00039 :</b>		
<b>Container Name</b>	EepInitConfiguration		
<b>Description</b>	Container for runtime configuration parameters of the EEPROM driver. Implementation Type: Eep_ConfigType.		
<b>Configuration Parameters</b>			

<b>SWS Item</b>	<b>ECUC_Eep_00166 :</b>		
<b>Name</b>	EepBaseAddress		
<b>Description</b>	This parameter is the EEPROM device base address. Implementation Type: Eep_AddressType.		
<b>Multiplicity</b>	1		
<b>Type</b>	EcucIntegerParamDef		
<b>Range</b>	0 .. 4294967295		
<b>Default value</b>	--		
<b>Post-Build Variant Value</b>	true		
<b>Value Configuration Class</b>	<b>Pre-compile time</b>	X	VARIANT-PRE-COMPILE
	<b>Link time</b>	--	
	<b>Post-build time</b>	X	VARIANT-POST-BUILD
<b>Scope / Dependency</b>	scope: local		

<b>SWS Item</b>	<b>ECUC_Eep_00167 :</b>		
<b>Name</b>	EepDefaultMode		
<b>Description</b>	This parameter is the default EEPROM device mode after initialization. Implementation Type: MemIf_ModeType.		
<b>Multiplicity</b>	1		
<b>Type</b>	EcucEnumerationParamDef		
<b>Range</b>	MEMIF_MODE_FAST		The driver is working in fast mode (fast read access / SPI burst access).
	MEMIF_MODE_SLOW		The driver is working in slow mode.
<b>Default value</b>	MEMIF_MODE_SLOW		
<b>Post-Build Variant</b>	true		

<b>Value</b>			
<b>Value Configuration Class</b>	<b>Pre-compile time</b>	X	VARIANT-PRE-COMPILE
	<b>Link time</b>	--	
	<b>Post-build time</b>	X	VARIANT-POST-BUILD
<b>Scope Dependency</b>	scope: local		

<b>SWS Item</b>	<b>ECUC_Eep_00168 :</b>		
<b>Name</b>	EepFastReadBlockSize		
<b>Description</b>	Number of bytes read within one job processing cycle in fast mode. If the hardware does not support burst mode this parameter shall be set to the same value as EepNormalReadBlockSize. Implementation Type: Eep_LengthType.		
<b>Multiplicity</b>	1		
<b>Type</b>	EcucIntegerParamDef		
<b>Range</b>	0 .. 4294967295		
<b>Default value</b>	--		
<b>Post-Build Variant Value</b>	true		
<b>Value Configuration Class</b>	<b>Pre-compile time</b>	X	VARIANT-PRE-COMPILE
	<b>Link time</b>	--	
	<b>Post-build time</b>	X	VARIANT-POST-BUILD
<b>Scope / Dependency</b>	scope: local		

<b>SWS Item</b>	<b>ECUC_Eep_00169 :</b>		
<b>Name</b>	EepFastWriteBlockSize		
<b>Description</b>	Number of bytes written within one job processing cycle in fast mode. If the hardware does not support burst mode this parameter shall be set to the same value as EepNormalWriteBlockSize. Implementation Type: Eep_LengthType.		
<b>Multiplicity</b>	1		
<b>Type</b>	EcucIntegerParamDef		
<b>Range</b>	0 .. 4294967295		
<b>Default value</b>	--		
<b>Post-Build Variant Value</b>	true		
<b>Value Configuration Class</b>	<b>Pre-compile time</b>	X	VARIANT-PRE-COMPILE
	<b>Link time</b>	--	
	<b>Post-build time</b>	X	VARIANT-POST-BUILD
<b>Scope / Dependency</b>	scope: local dependency: This parameter is optional and only available if the hardware allows writing several bytes in one step (e.g. external EEPROMs with burst mode capability).		

<b>SWS Item</b>	<b>ECUC_Eep_00170 :</b>		
<b>Name</b>	EepJobCallCycle		
<b>Description</b>	Call cycle time of the EEPROM driver's main function. Unit: [s]		
<b>Multiplicity</b>	0..1		
<b>Type</b>	EcucFloatParamDef		
<b>Range</b>	0 .. INF		
<b>Default value</b>	--		
<b>Post-Build Variant Value</b>	true		
<b>Post-Build Multiplicity</b>	true		
<b>Value Configuration Class</b>	<b>Pre-compile time</b>	X	VARIANT-PRE-COMPILE
	<b>Link time</b>	--	
	<b>Post-build time</b>	X	VARIANT-POST-BUILD
<b>Value Configuration Class</b>	<b>Pre-compile time</b>	X	VARIANT-PRE-COMPILE



	<b>Link time</b>	--	
	<b>Post-build time</b>	X	VARIANT-POST-BUILD
<b>Scope / Dependency</b>	scope: local		

<b>SWS Item</b>	<b>ECUC_Eep_00171 :</b>		
<b>Name</b>	EepJobEndNotification		
<b>Description</b>	This parameter is a reference to a callback function for positive job result (see EEP045).		
<b>Multiplicity</b>	0..1		
<b>Type</b>	EcucFunctionNameDef		
<b>Default value</b>	--		
<b>maxLength</b>	--		
<b>minLength</b>	--		
<b>regularExpression</b>	--		
<b>Post-Build Multiplicity</b>	<b>Variant</b>	true	
<b>Post-Build Variant Value</b>	true		
<b>Multiplicity Configuration Class</b>	<b>Pre-compile time</b>	X	VARIANT-PRE-COMPILE
	<b>Link time</b>	--	
	<b>Post-build time</b>	X	VARIANT-POST-BUILD
<b>Value Configuration Class</b>	<b>Pre-compile time</b>	X	VARIANT-PRE-COMPILE
	<b>Link time</b>	--	
	<b>Post-build time</b>	X	VARIANT-POST-BUILD
<b>Scope / Dependency</b>	scope: local		

<b>SWS Item</b>	<b>ECUC_Eep_00172 :</b>		
<b>Name</b>	EepJobErrorNotification		
<b>Description</b>	This parameter is a reference to a callback function for negative job result (see EEP046).		
<b>Multiplicity</b>	0..1		
<b>Type</b>	EcucFunctionNameDef		
<b>Default value</b>	--		
<b>maxLength</b>	--		
<b>minLength</b>	--		
<b>regularExpression</b>	--		
<b>Post-Build Multiplicity</b>	<b>Variant</b>	true	
<b>Post-Build Variant Value</b>	true		
<b>Multiplicity Configuration Class</b>	<b>Pre-compile time</b>	X	VARIANT-PRE-COMPILE
	<b>Link time</b>	--	
	<b>Post-build time</b>	X	VARIANT-POST-BUILD
<b>Value Configuration Class</b>	<b>Pre-compile time</b>	X	VARIANT-PRE-COMPILE
	<b>Link time</b>	--	
	<b>Post-build time</b>	X	VARIANT-POST-BUILD
<b>Scope / Dependency</b>	scope: local		

<b>SWS Item</b>	<b>ECUC_Eep_00173 :</b>		
<b>Name</b>	EepNormalReadBlockSize		
<b>Description</b>	Number of bytes read within one job processing cycle in normal mode. Implementation Type: Eep_LengthType.		
<b>Multiplicity</b>	1		
<b>Type</b>	EcucIntegerParamDef		
<b>Range</b>	0 .. 4294967295		
<b>Default value</b>	--		
<b>Post-Build Variant Value</b>	true		
<b>Value Configuration Class</b>	<b>Pre-compile time</b>	X	VARIANT-PRE-COMPILE

	<b>Link time</b>	--	
	<b>Post-build time</b>	X	VARIANT-POST-BUILD
<b>Scope / Dependency</b>	scope: local		

<b>SWS Item</b>	<b>ECUC_Eep_00174 :</b>		
<b>Name</b>	EepNormalWriteBlockSize		
<b>Description</b>	Number of bytes written within one job processing cycle in normal mode. Implementation Type: Eep_LengthType.		
<b>Multiplicity</b>	1		
<b>Type</b>	EcucIntegerParamDef		
<b>Range</b>	0 .. 4294967295		
<b>Default value</b>	--		
<b>Post-Build Variant Value</b>	true		
<b>Value Configuration Class</b>	<b>Pre-compile time</b>	X	VARIANT-PRE-COMPILE
	<b>Link time</b>	--	
	<b>Post-build time</b>	X	VARIANT-POST-BUILD
<b>Scope / Dependency</b>	scope: local dependency: This parameter is optional and only available if the hardware allows configuration.		

<b>SWS Item</b>	<b>ECUC_Eep_00175 :</b>		
<b>Name</b>	EepSize		
<b>Description</b>	This parameter is the used size of EEPROM device in bytes. Implementation Type: Eep_LengthType.		
<b>Multiplicity</b>	1		
<b>Type</b>	EcucIntegerParamDef		
<b>Range</b>	0 .. 4294967295		
<b>Default value</b>	--		
<b>Post-Build Variant Value</b>	true		
<b>Value Configuration Class</b>	<b>Pre-compile time</b>	X	VARIANT-PRE-COMPILE
	<b>Link time</b>	--	
	<b>Post-build time</b>	X	VARIANT-POST-BUILD
<b>Scope / Dependency</b>	scope: local		

<b>Included Containers</b>		
<b>Container Name</b>	<b>Multiplicity</b>	<b>Scope / Dependency</b>
EepDemEventParameterRefs	0..1	Container for the references to DemEventParameter elements which shall be invoked using the API Dem_ReportErrorStatus API in case the corresponding error occurs. The EventId is taken from the referenced DemEventParameter's DemEventId value. The standardized errors are provided in the container and can be extended by vendor specific error references.
EepExternalDriver	0..1	This container is present for external EEPROM drivers only. Internal EEPROM drivers do not use the parameter listed in this container, hence its multiplicity is 0 for internal drivers.

### 10.2.5 EepDemEventParameterRefs

<b>SWS Item</b>	<b>ECUC_Eep_00200 :</b>
<b>Container Name</b>	EepDemEventParameterRefs
<b>Description</b>	Container for the references to DemEventParameter elements which shall be invoked using the API Dem_ReportErrorStatus API in case the corresponding error occurs. The EventId is taken from the referenced

	DemEventParameter's DemEventId value. The standardized errors are provided in the container and can be extended by vendor specific error references.
<b>Configuration Parameters</b>	

<b>SWS Item</b>	<b>ECUC Eep_00204 :</b>		
<b>Name</b>	EEP_E_COMPARE_FAILED		
<b>Description</b>	Reference to the DemEventParameter which shall be issued when the error "EEPROM compare failed (HW)" has occurred.		
<b>Multiplicity</b>	0..1		
<b>Type</b>	Symbolic name reference to [ DemEventParameter ]		
<b>Post-Build Multiplicity</b>	<b>Variant</b>	true	
<b>Post-Build Variant Value</b>	true		
<b>Multiplicity Configuration Class</b>	<b>Pre-compile time</b>	X	VARIANT-PRE-COMPILE
	<b>Link time</b>	--	
	<b>Post-build time</b>	X	VARIANT-POST-BUILD
<b>Value Configuration Class</b>	<b>Pre-compile time</b>	X	VARIANT-PRE-COMPILE
	<b>Link time</b>	--	
	<b>Post-build time</b>	X	VARIANT-POST-BUILD
<b>Scope / Dependency</b>	scope: local		

<b>SWS Item</b>	<b>ECUC Eep_00201 :</b>		
<b>Name</b>	EEP_E_ERASE_FAILED		
<b>Description</b>	Reference to the DemEventParameter which shall be issued when the error "EEPROM erase failed (HW)" has occurred.		
<b>Multiplicity</b>	0..1		
<b>Type</b>	Symbolic name reference to [ DemEventParameter ]		
<b>Post-Build Multiplicity</b>	<b>Variant</b>	true	
<b>Post-Build Variant Value</b>	true		
<b>Multiplicity Configuration Class</b>	<b>Pre-compile time</b>	X	VARIANT-PRE-COMPILE
	<b>Link time</b>	--	
	<b>Post-build time</b>	X	VARIANT-POST-BUILD
<b>Value Configuration Class</b>	<b>Pre-compile time</b>	X	VARIANT-PRE-COMPILE
	<b>Link time</b>	--	
	<b>Post-build time</b>	X	VARIANT-POST-BUILD
<b>Scope / Dependency</b>	scope: local		

<b>SWS Item</b>	<b>ECUC Eep_00203 :</b>		
<b>Name</b>	EEP_E_READ_FAILED		
<b>Description</b>	Reference to the DemEventParameter which shall be issued when the error "EEPROM read failed (HW)" has occurred.		
<b>Multiplicity</b>	0..1		
<b>Type</b>	Symbolic name reference to [ DemEventParameter ]		
<b>Post-Build Multiplicity</b>	<b>Variant</b>	true	
<b>Post-Build Variant Value</b>	true		
<b>Multiplicity Configuration Class</b>	<b>Pre-compile time</b>	X	VARIANT-PRE-COMPILE
	<b>Link time</b>	--	
	<b>Post-build time</b>	X	VARIANT-POST-BUILD
<b>Value Configuration Class</b>	<b>Pre-compile time</b>	X	VARIANT-PRE-COMPILE
	<b>Link time</b>	--	
	<b>Post-build time</b>	X	VARIANT-POST-BUILD
<b>Scope / Dependency</b>	scope: local		

<b>SWS Item</b>	<b>ECUC_Eep_00202 :</b>		
<b>Name</b>	EEP_E_WRITE_FAILED		
<b>Description</b>	Reference to the DemEventParameter which shall be issued when the error "EEPROM write failed (HW)" has occurred.		
<b>Multiplicity</b>	0..1		
<b>Type</b>	Symbolic name reference to [ DemEventParameter ]		
<b>Post-Build Multiplicity</b>	<b>Variant</b>	true	
<b>Post-Build Variant Value</b>	true		
<b>Multiplicity Configuration Class</b>	<b>Pre-compile time</b>	X	VARIANT-PRE-COMPILE
	<b>Link time</b>	--	
	<b>Post-build time</b>	X	VARIANT-POST-BUILD
<b>Value Configuration Class</b>	<b>Pre-compile time</b>	X	VARIANT-PRE-COMPILE
	<b>Link time</b>	--	
	<b>Post-build time</b>	X	VARIANT-POST-BUILD
<b>Scope / Dependency</b>	scope: local		

**No Included Containers**

### 10.2.6 EepExternalDriver

<b>SWS Item</b>	<b>ECUC_Eep_00190 :</b>		
<b>Container Name</b>	EepExternalDriver		
<b>Description</b>	This container is present for external EEPROM drivers only. Internal EEPROM drivers do not use the parameter listed in this container, hence its multiplicity is 0 for internal drivers.		
<b>Configuration Parameters</b>			

<b>SWS Item</b>	<b>ECUC_Eep_00176 :</b>		
<b>Name</b>	EepSpiReference		
<b>Description</b>	Reference to SPI sequence (required for external EEPROM drivers).		
<b>Multiplicity</b>	1..*		
<b>Type</b>	Symbolic name reference to [ SpiSequence ]		
<b>Post-Build Multiplicity</b>	<b>Variant</b>	true	
<b>Post-Build Variant Value</b>	true		
<b>Multiplicity Configuration Class</b>	<b>Pre-compile time</b>	X	VARIANT-PRE-COMPILE
	<b>Link time</b>	--	
	<b>Post-build time</b>	X	VARIANT-POST-BUILD
<b>Value Configuration Class</b>	<b>Pre-compile time</b>	X	VARIANT-PRE-COMPILE
	<b>Link time</b>	--	
	<b>Post-build time</b>	X	VARIANT-POST-BUILD
<b>Scope / Dependency</b>	scope: local		

**No Included Containers**

### 10.2.7 SPI specific extension

**[SWS\_Eep\_00094]** [In case of an external SPI EEPROM device, the following parameters shall also be located or referenced (according to the configuration methodology) in the external data structure of type `Eep_ConfigType` (see [ECUC\\_Eep\\_00039](#)). They shall be used as API parameters for accessing the SPI Handler/Driver API services. The symbolic names for those parameters are published in the module's description file (see [SWS\\_Eep\\_00095](#)).

- All required SPI channels
- All required SPI sequences
- All required SPI jobs ] (SRS\_BSW\_00390, SRS\_BSW\_00391, SRS\_BSW\_00398)

## 10.3 Published parameters

### 10.3.1 Basic subset

For details refer to the chapter 10.3 “Published Information” in *SWS\_BSWGeneral*.

### 10.3.2 SPI specific extension

**[SWS\_Eep\_00095]** [In case of an external SPI EEPROM device, the following parameters shall be published additionally in the module's description file (see EEP038):

- All SPI channels that are required for EEPROM access (read, write, erase)
- Those channels shall be linked to construct SPI jobs that are linked with chip selected handling. This depends on the specific EEPROM device.
- Those jobs shall be assigned to SPI sequences to be scheduled for SPI transfer

A complete list of required parameters is specified in the SPI Handler/Driver Software Specification. ] (SRS\_BSW\_00390, SRS\_BSW\_00391, SRS\_BSW\_00402)

### 10.3.3 EepPublishedInformation

<b>SWS Item</b>	<b>ECUC_Eep_00111 :</b>
<b>Container Name</b>	EepPublishedInformation
<b>Description</b>	Additional published parameters not covered by CommonPublishedInformation container. Note that these parameters do not have any configuration class setting, since they are published information.
<b>Configuration Parameters</b>	

<b>SWS Item</b>	<b>ECUC_Eep_00177 :</b>
<b>Name</b>	EepAllowedWriteCycles

<b>Description</b>	Specified maximum number of write cycles under worst case conditions of specific EEPROM hardware (e.g. +90°C)		
<b>Multiplicity</b>	1		
<b>Type</b>	EcucIntegerParamDef		
<b>Range</b>	0 .. 4294967295		
<b>Default value</b>	--		
<b>Post-Build Variant Value</b>	false		
<b>Value Configuration Class</b>	<b>Published Information</b>	X	All Variants
<b>Scope / Dependency</b>	scope: local		

<b>SWS Item</b>	<b>ECUC_Eep_00178 :</b>		
<b>Name</b>	EepEraseTime		
<b>Description</b>	Maximum time for erasing one EEPROM data unit.		
<b>Multiplicity</b>	1		
<b>Type</b>	EcucFloatParamDef		
<b>Range</b>	0 .. INF		
<b>Default value</b>	--		
<b>Post-Build Variant Value</b>	false		
<b>Value Configuration Class</b>	<b>Published Information</b>	X	All Variants
<b>Scope / Dependency</b>	scope: local		

<b>SWS Item</b>	<b>ECUC_Eep_00179 :</b>		
<b>Name</b>	EepEraseUnitSize		
<b>Description</b>	Size of smallest erasable EEPROM data unit in bytes.		
<b>Multiplicity</b>	1		
<b>Type</b>	EcucIntegerParamDef		
<b>Range</b>	0 .. 4294967295		
<b>Default value</b>	--		
<b>Post-Build Variant Value</b>	false		
<b>Value Configuration Class</b>	<b>Published Information</b>	X	All Variants
<b>Scope / Dependency</b>	scope: local		

<b>SWS Item</b>	<b>ECUC_Eep_00180 :</b>		
<b>Name</b>	EepEraseValue		
<b>Description</b>	Value of an erased EEPROM cell.		
<b>Multiplicity</b>	1		
<b>Type</b>	EcucIntegerParamDef		
<b>Range</b>	0 .. 255		
<b>Default value</b>	--		
<b>Post-Build Variant Value</b>	false		
<b>Value Configuration Class</b>	<b>Published Information</b>	X	All Variants
<b>Scope / Dependency</b>	scope: local		

<b>SWS Item</b>	<b>ECUC_Eep_00181 :</b>		
<b>Name</b>	EepMinimumAddressType		
<b>Description</b>	Minimum expected size of Eep_AddressType.		
<b>Multiplicity</b>	1		
<b>Type</b>	EcucIntegerParamDef		
<b>Range</b>	0 .. 4294967295		
<b>Default value</b>	--		
<b>Post-Build Variant Value</b>	false		
<b>Value Configuration Class</b>	<b>Published Information</b>	X	All Variants
<b>Scope / Dependency</b>	scope: local		

<b>SWS Item</b>	<b>ECUC_Eep_00182 :</b>		
-----------------	-------------------------	--	--

<b>Name</b>	EepMinimumLengthType		
<b>Description</b>	Minimum expected size of Eep_LengthType.		
<b>Multiplicity</b>	1		
<b>Type</b>	EcucIntegerParamDef		
<b>Range</b>	0 .. 4294967295		
<b>Default value</b>	--		
<b>Post-Build Variant Value</b>	false		
<b>Value Configuration Class</b>	<b>Published Information</b>	X	All Variants
<b>Scope / Dependency</b>	scope: local		

<b>SWS Item</b>	<b>ECUC_Eep_00183 :</b>		
<b>Name</b>	EepReadUnitSize		
<b>Description</b>	Size of smallest readable EEPROM data unit in bytes.		
<b>Multiplicity</b>	1		
<b>Type</b>	EcucIntegerParamDef		
<b>Range</b>	0 .. 4294967295		
<b>Default value</b>	--		
<b>Post-Build Variant Value</b>	false		
<b>Value Configuration Class</b>	<b>Published Information</b>	X	All Variants
<b>Scope / Dependency</b>	scope: local		

<b>SWS Item</b>	<b>ECUC_Eep_00187 :</b>		
<b>Name</b>	EepSpecifiedEraseCycles		
<b>Description</b>	Number of erase cycles specified for the EEP device (usually given in the device data sheet).		
<b>Multiplicity</b>	1		
<b>Type</b>	EcucIntegerParamDef		
<b>Range</b>	0 .. 4294967295		
<b>Default value</b>	--		
<b>Post-Build Variant Value</b>	false		
<b>Value Configuration Class</b>	<b>Published Information</b>	X	All Variants
<b>Scope / Dependency</b>	scope: local		

<b>SWS Item</b>	<b>ECUC_Eep_00184 :</b>		
<b>Name</b>	EepTotalSize		
<b>Description</b>	Total size of EEPROM in bytes. Implementation Type: Eep_LengthType.		
<b>Multiplicity</b>	1		
<b>Type</b>	EcucIntegerParamDef		
<b>Range</b>	0 .. 4294967295		
<b>Default value</b>	--		
<b>Post-Build Variant Value</b>	false		
<b>Value Configuration Class</b>	<b>Published Information</b>	X	All Variants
<b>Scope / Dependency</b>	scope: local		

<b>SWS Item</b>	<b>ECUC_Eep_00185 :</b>		
<b>Name</b>	EepWriteTime		
<b>Description</b>	Maximum time for writing one EEPROM data unit.		
<b>Multiplicity</b>	1		
<b>Type</b>	EcucFloatParamDef		
<b>Range</b>	0 .. INF		
<b>Default value</b>	--		
<b>Post-Build Variant Value</b>	false		
<b>Value Configuration Class</b>	<b>Published Information</b>	X	All Variants
<b>Scope / Dependency</b>	scope: local		

<b>SWS Item</b>	<b>ECUC_Eep_00186 :</b>		
<b>Name</b>	EepWriteUnitSize		
<b>Description</b>	Size of smallest writeable EEPROM data unit in bytes.		
<b>Multiplicity</b>	1		
<b>Type</b>	EcucIntegerParamDef		
<b>Range</b>	0 .. 4294967295		
<b>Default value</b>	--		
<b>Post-Build Variant Value</b>	false		
<b>Value Configuration Class</b>	<b>Published Information</b>	X	All Variants
<b>Scope / Dependency</b>	scope: local		

**No Included Containers**

## 10.4 Configuration example—external SPI EEPROM device

The following chapter shall provide a better understanding of how and where configuration parameters are defined and used. For the following use case a detailed implementation and configuration example is given:

### Use case

- Implement and configure a driver for operating an external EEPROM device accessed over SPI.
- Use the AUTOSAR SPI Handler/Driver, utilizing internal buffers (IB) for command communication and external buffers (EB) for data.
- Configure and perform an SPI read command.

The example assumes a certain fixed format and order of SPI commands to read from the external EEPROM device. The SPI API functions have been chosen for operating this exemplary device in order to demonstrate the basic principles of SPI bus interaction. When implementing a driver for a real-life device, the sequence of operation will most likely differ. The detailed selection of SPI API functions and parameters to be used and configured needs to be derived from studying the device's data sheet in combination with the SPI handler/driver specification.[4]

Be aware that the use of the SPI API functions is exemplary; their exact signatures and configuration may change. The valid reference is always the current SPI SWS.

### 10.4.1 External SPI EEPROM device usage scenario

The following scenario is assumed in this example:

The external EEPROM device is an SPI slave device, the EEPROM driver to be implemented uses the SPI handler/driver module for the SPI master. The external device is addressed by a dedicated Chip Select line which will be asserted by the SPI master whenever a job operating on the device is being executed.

The external EEPROM uses serial op-code processing: After the device is selected with its Chip Select line going low, the first byte will be transmitted over the device's



SI line. This byte contains an 8-bit Read-operation op-code (0x03), immediately followed by an 8-bit address byte. Upon completion, any data on the SI line will be ignored. The data (D7-D0) at the specified address is then shifted out onto the SO line. If only one byte is to be read, the CS line shall be driven high after the data comes out, otherwise the read sequence will be continued, with the address being automatically incremented and data shifted out on consecutive data.

Whenever the EEPROM driver's user wants to read data, the EEPROM driver forwards the read request to the SPI handler/driver via a number of selected SPI API calls. In order to follow the request/response behavior described above, the SPI needs to be configured exactly to fit the expected communication protocol. Therefore, an important development task consists in correctly configuring the SPI driver for communication with the external EEPROM device. Based on this configuration, the actual implementation of the EEPROM driver uses the SPI API functions in combination with the configured handle IDs for assigning jobs to the SPI handler/driver:

The EEPROM driver implementation may use a combination of external and internal SPI buffers for achieving the communication with the SPI handler:

Upon reception of an `Eep_Read()` request, the EEPROM driver writes the EEPROM source address in an SPI-channel internal buffer using `Spi_WriteIB()`. Next, it sets up an SPI external buffer specifying the requested number of bytes to be read using `Spi_SetupEB()`. It then calls `Spi_AsyncTransmit()` in order to initiate an SPI sequence *EepReadSequence* configured to match exactly the hardware access protocol outlined above.

Once the SPI read sequence has finished, the SPI handler/driver notifies the EEPROM driver by calling `Spi_SeqEndNotification`. The driver can now safely access the EEPROM data through the assigned external buffer and in turn finish the EEPROM read job.

#### 10.4.2 Configuration of SPI parameters

In order to use the SPI handler/driver, the EEPROM driver implementer needs to create an SPI configuration, containing a complete set of SPI configuration containers such that the required functionality is configured.

Following a top-down view, an `SpiSequence` *EepReadSequence* configuration container handles one complete read sequence. *EepReadSequence* in turn uses an `SpiJob` *EepReadJob* for handling the details of a read job. This includes a reference to an `SpiExternalDevice` representing the EEPROM device with its specified Chip Select line as well as logic level characteristics like e.g. Baud Rate, Polarity or `DataShiftEdge`.

*EepReadJob* is further broken down into an ordered list of `SpiChannels` which when executed in order will perform the required SPI bus communication with the external device:

- 1) *EepChCommand* is used for sending the ReadCommand byte, using a default data constant for the read op-code.
- 2) *EepChAddress* is used for sending the device read address utilizing an internal buffer.
- 3) *EepChReadData* is used for reading the requested EEPROM data into an externally (to SPI) provided buffer.

Roughly, the work flow of configuring the SPI module for an EEPROM read command contains the following steps:

1. In the EcuConfiguration for Spi, create a container *EepDriver* of type SpiDriver representing the external EEPROM driver. It will hold sub containers of type SpiExternalDevice, SpiChannel, SpiJob and SpiSequence to be created in the steps below.
2. Look up the external device's SPI characteristics in its data sheet and set up a container *EepDevice* of type SpiExternalDevice accordingly. Specify the Chip Select line to be used in *EepDevice*.
3. Look up the details of the SPI read command sequence in the device's data sheet.
4. Within *EepDriver*, define one SpiChannel each for transmitting the Read command opcode, the EEPROM source address and for receiving the data transmitted by the device in response to the request, e.g.
  - a. *EepChCommand*
  - b. *EepChAddress*
  - c. *EepChReadData*
5. Define SPI Channel attributes for each channel based on the communication sequence described in the device data sheet. In particular, configure buffers, i.e. *EepChAddress* to use an internal buffer and *EepChReadData* to use an external buffer. For the fixed read-command opcode, SpiDefaultData can be used.
6. Define the SpiJob *EepReadJob* and set it up to work on EepDevice. Specify the ordered list of SpiJobs to be executed for performing the read job. In this example, the job consists of the channel list *EepChCommand*, *EepChAddress*, *EepChReadData*.
7. Define the SpiSequence *EepReadSequence* containing the list of SpiJobs required to perform the desired functionality. In this example, *EepReadSequence* contains only one job, *EepReadJob*. Fill in the callback function symbols to be provided by the EEPROM driver, e.g. *Eep\_ReadSequenceEndNotification*.
8. Publish all defined attributes for SPI usage in the EEPROM driver as an XML description file according to SPI SWS.

### 10.4.3 Generation of SPI configuration data

As part of the SPI configuration described above, each SpiSequence, SpiJob and SpiChannel has been assigned a handle ID. Based on the XML file, an SPI include file will be generated which publishes this information. The EEPROM driver is given access to these parameters by the means of C-defines contained in the configuration header file Spi\_cfg.h:

```
#define Spi_EepReadSequence 10
#define Spi_EepReadJob      20
```

```
#define Spi_EepChCommand      31
#define Spi_EepChAddress     32
#define Spi_EepChReadData    33
```

The EEPROM driver should not directly include `Spi_Cfg.h`; it should rather include `Spi.h`, which in turn includes `Spi_Cfg`.

#### 10.4.4 SPI API usage

Upon receiving an `Eep_Read()` request, the EEPROM driver first needs to transfer the necessary information for executing the read command to the SPI handler/driver. It uses the `Spi_WriteIB()` function to set the device read address in the internal buffer allocated to the `EepChAddress` channel:

```
Spi_WriteIB(Spi_EepChAddress, &EepromAddress);
```

Next, the external buffer is set up for reading the EEPROM device data to:

```
Spi_SetupEB(Spi_EepChReadData, NULL, buf_data, length);
```

Finally, the Read sequence is initiated by calling `Spi_AsyncTransmit`:

```
Spi_AsyncTransmit(Spi_EepReadSequence);
```

After initiating the transfer, `Eep_Read()` returns.

The rest of the transfer is autonomously handled by the SPI handler/driver. Once the SPI sequence has finished, the SPI handler will notify the EEPROM driver using the callback `Spi_SeqEndNotification`. The EEPROM driver main function should ensure that either the sequence has finished successfully and in turn finish up the `Eep_Read()` request accordingly by signaling `EepJobEndNotification`; or upon reception of an error it should trigger an `EepJobErrorNotification` and report an `EEP_E_READ_FAILED` production error to the DEM.

## 11 Not applicable requirements

[SWS\_Eep\_00241] [ These requirements are not applicable to this specification.]

(SRS\_BSW\_00170, SRS\_BSW\_00399, SRS\_BSW\_00400, SRS\_BSW\_00375, SRS\_BSW\_00416, SRS\_BSW\_00168, SRS\_BSW\_00423, SRS\_BSW\_00424, SRS\_BSW\_00426, SRS\_BSW\_00427, SRS\_BSW\_00428, SRS\_BSW\_00429, BSW00431, SRS\_BSW\_00432, SRS\_BSW\_00433, BSW00434, SRS\_BSW\_00336, SRS\_BSW\_00422, BSW00420, SRS\_BSW\_00417, SRS\_BSW\_00161, SRS\_BSW\_00162, BSW00324, SRS\_BSW\_00005, SRS\_BSW\_00164, SRS\_BSW\_00325, SRS\_BSW\_00326, SRS\_BSW\_00342, SRS\_BSW\_00343, SRS\_BSW\_00007, SRS\_BSW\_00413, SRS\_BSW\_00347, SRS\_BSW\_00307, SRS\_BSW\_00301, SRS\_BSW\_00302, SRS\_BSW\_00328, SRS\_BSW\_00312, SRS\_BSW\_00006, SRS\_BSW\_00355, SRS\_BSW\_00378, SRS\_BSW\_00306, SRS\_BSW\_00308, SRS\_BSW\_00309, SRS\_BSW\_00330, SRS\_BSW\_00331, SRS\_BSW\_00009, SRS\_BSW\_00401, SRS\_BSW\_00172, SRS\_BSW\_00010, SRS\_BSW\_00341, SRS\_BSW\_00334, SRS\_SPAL\_12267, SRS\_SPAL\_12163, SRS\_SPAL\_12068, SRS\_SPAL\_12069, SRS\_SPAL\_12063, SRS\_SPAL\_12129, SRS\_SPAL\_12067, SRS\_SPAL\_12077, SRS\_SPAL\_12078, SRS\_SPAL\_12092, SRS\_SPAL\_12265)